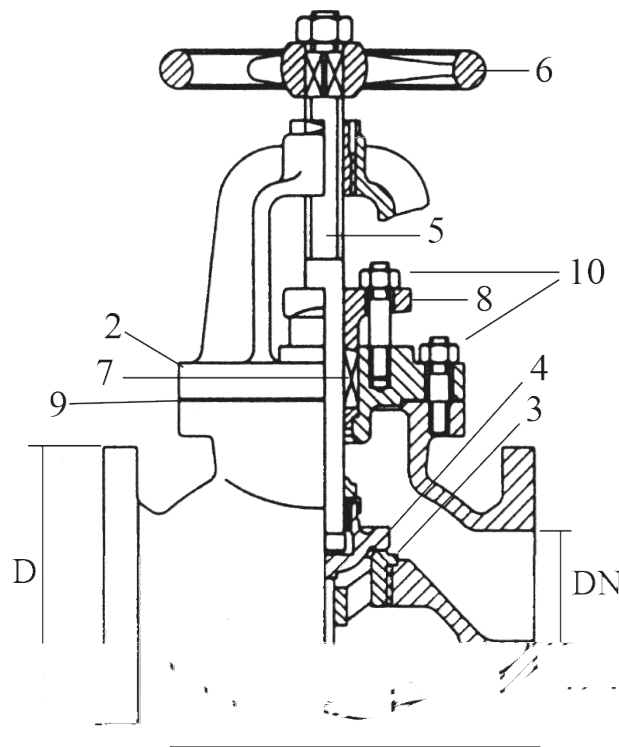




Stop Valve JIS 20K Flange Straight GSC25

Model/Ref: F-7313-F-7473

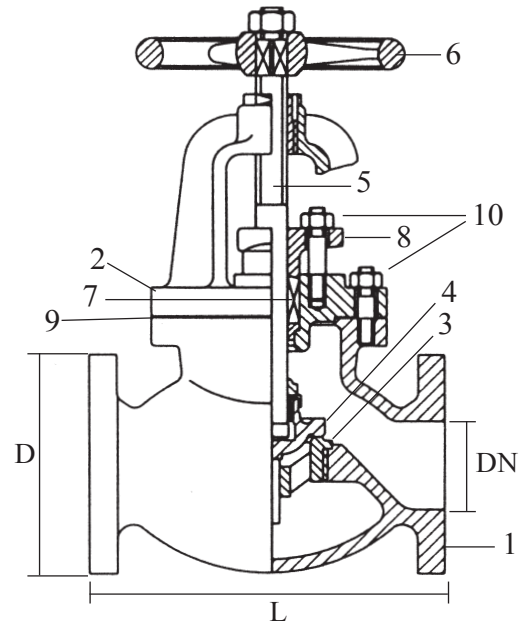


*Partnership.
Without Limits.*

www.lauridsenindustri.com

Stop Valve JIS 20K Flange Straight GSC25

No	Part	Material
1	Body	Cast steel GSC25
2	Bonnet	Cast steel GSC25
3	Seat ring	Stainless steel
4	Disc	Stainless steel
5	Stem	Stainless steel
6	Handwheel	Cast iron
7	Glandpacking	Graphite
8	Gland	Bronze Rg5
9	Gasket	Graphite
10	Bolt/Nut	Rolled steel
11		
12		
13		
14		
15		


Variants:

S.D.N.R. = Non-return disc F-7473
 Bronze Rg5 trim

Other dimensions/materials on request

DN	D	n	Hcd	d	L	Max working-pressure		Weight Kg
						Kg/cm ² 120 °C	Kg/cm ² 350 °C	
32	135	4	100	19	190	31 bar	26 bar	14,4
40	140	4	105	19	200	31 bar	26 bar	16,0
50	155	8	120	19	230	31 bar	26 bar	21,6
65	175	8	140	19	270	31 bar	26 bar	30,4
80	200	8	160	23	300	31 bar	26 bar	43,5
100	225	8	185	23	350	31 bar	26 bar	62,3
125	270	8	225	25	430	31 bar	26 bar	94,8
150	305	12	260	25	500	31 bar	26 bar	132,0
200	350	12	305	25	560	31 bar	26 bar	204,0
250	430	12	380	27	660	31 bar	26 bar	336,0