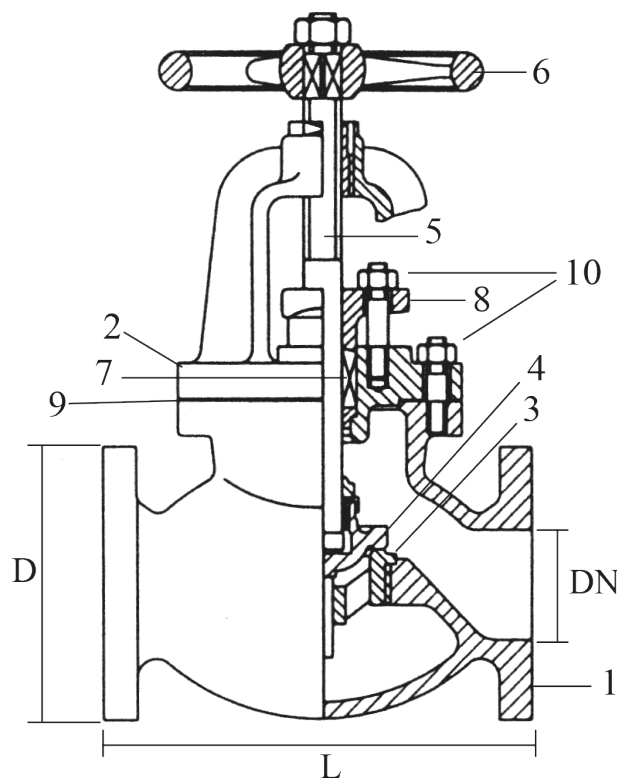




## Stop Valve JIS 10K Flange Straight GSC25

Model/Ref: F-7319-F-7471

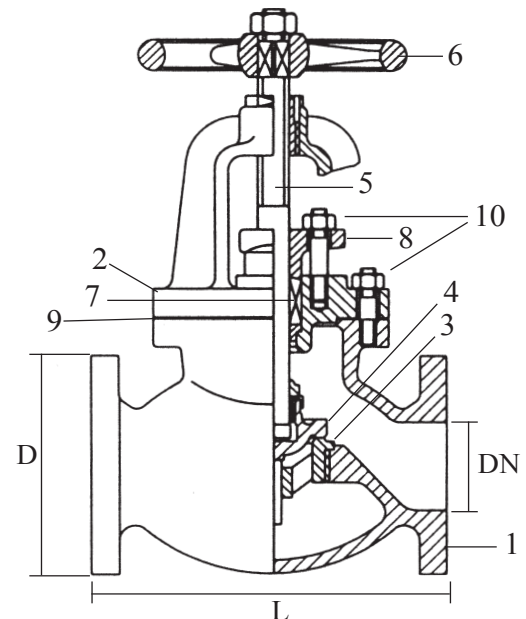


*Partnership.  
Without Limits.*

[WWW.lauridsenindustri.dk](http://WWW.lauridsenindustri.dk)

## Stop Valve JIS 10K Flange Straight GSC25

| No | Part         | Material         |
|----|--------------|------------------|
| 1  | Body         | Cast steel GSC25 |
| 2  | Bonnet       | Cast steel GSC25 |
| 3  | Seat ring    | Stainless steel  |
| 4  | Disc         | Stainless steel  |
| 5  | Stem         | Stainless steel  |
| 6  | Handwheel    | Cast iron        |
| 7  | Glandpacking | Graphite         |
| 8  | Gland        | Bronze Rg5       |
| 9  | Gasket       | Graphite         |
| 10 | Bolt/Nut     | Rolled steel     |
| 11 |              |                  |
| 12 |              |                  |
| 13 |              |                  |
| 14 |              |                  |
| 15 |              |                  |


**Variants:**

S.D.N.R. = Non-return disc F-7471  
 Bronze Rg5 trim

Other dimensions/materials on request

| DN  | D   | n  | Hcd | d  | L   | Max working-pressure      |                           | Weight Kg |
|-----|-----|----|-----|----|-----|---------------------------|---------------------------|-----------|
|     |     |    |     |    |     | Kg/cm <sup>2</sup> 120 °C | Kg/cm <sup>2</sup> 350 °C |           |
| 50  | 155 | 4  | 120 | 19 | 220 | 14 bar                    | 10 bar                    | 17,9      |
| 65  | 175 | 4  | 140 | 19 | 270 | 14 bar                    | 10 bar                    | 26,0      |
| 80  | 185 | 8  | 150 | 19 | 300 | 14 bar                    | 10 bar                    | 29,8      |
| 100 | 210 | 8  | 175 | 19 | 350 | 14 bar                    | 10 bar                    | 44,7      |
| 125 | 250 | 8  | 210 | 23 | 420 | 14 bar                    | 10 bar                    | 70,3      |
| 150 | 280 | 8  | 240 | 23 | 490 | 14 bar                    | 10 bar                    | 96,4      |
| 200 | 330 | 12 | 290 | 23 | 570 | 14 bar                    | 10 bar                    | 159,0     |
| 250 | 400 | 12 | 355 | 25 | 740 | 14 bar                    | 10 bar                    | 257,0     |
| 300 | 445 | 16 | 400 | 25 | 840 | 14 bar                    | 10 bar                    | 370,0     |
|     |     |    |     |    |     |                           |                           |           |
|     |     |    |     |    |     |                           |                           |           |
|     |     |    |     |    |     |                           |                           |           |
|     |     |    |     |    |     |                           |                           |           |