

DUCTILE IRON GATE VALVE PN16 WITH RISING STEM NF 29323



Lloyd's
Register
PED/2014/68/EU



Certificate 3.1

Size : DN 40 to DN 600
Ends : Flanges PN10/16 R.F.
Min Temperature : - 10°C
Max Temperature : + 180°C
Max Pressure : 16 Bars
Specifications : Rising stem
Stainless steel stem
SS AISI 304 seat

Materials : Ductile iron body EN GJS 500-7

DUCTILE IRON GATE VALVE PN16 WITH RISING STEM NF 29323
SPECIFICATIONS :

- Single solid wedge
- Graphite packing
- Rising stem
- Stainless steel stem
- AISI 304 seat
- Flanges R.F. PN10/16
- Body Painting RAL 5005 blue color, 90 µm thickness and red handwheel

USE :

- For water, water treatment, heating
- Min and max Temperature Ts : - 10°C to + 180°C
- Max Pressure Ps : 16 bars

RANGE :

- Ductile iron body flanged R.F. PN10/16 **Ref. 158** from DN 40 to DN 600

TORQUE VALUES (Nm without safety coefficient) :

DN	40	50	65	80	100	125	150	200	250	300	350	400	500	600
Torque (Nm)	55	55	55	60	85	115	125	135	192	192	350	400	500	600

LEAKAGE RATE (WITH WATER AT 20°C) :

DN	Leakage rate (ml/s)
40	0.024
50	0.03
65	0.039
80	0.048
100	0.06
125	0.075
150	0.09
200	0.12
250	0.15
300	0.18

DN	Leakage rate (ml/s)
350	0.35
400	0.4
500	0.5
600	0.6

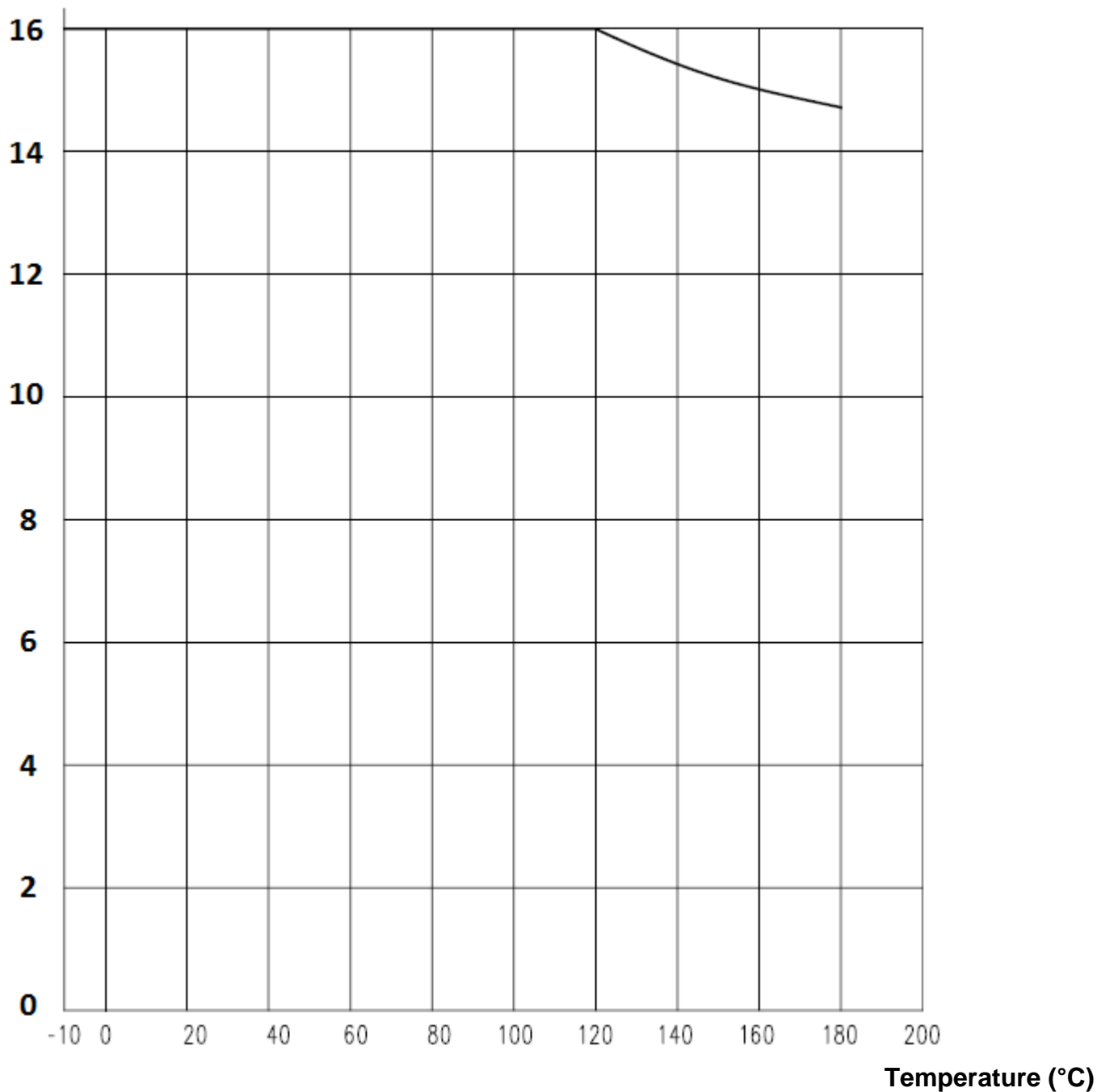
NUMBER OF CYCLES TO CLOSE OR OPEN THE VALVE :

DN	40	50	65	80	100	125	150	200	250	300	350	400	500	600
Number of cycles	13	15.5	19.3	23.5	29	35.3	33.3	43.6	53.6	65	62.1	71.5	76.3	79.3

DUCTILE IRON GATE VALVE PN16 WITH RISING STEM NF 29323

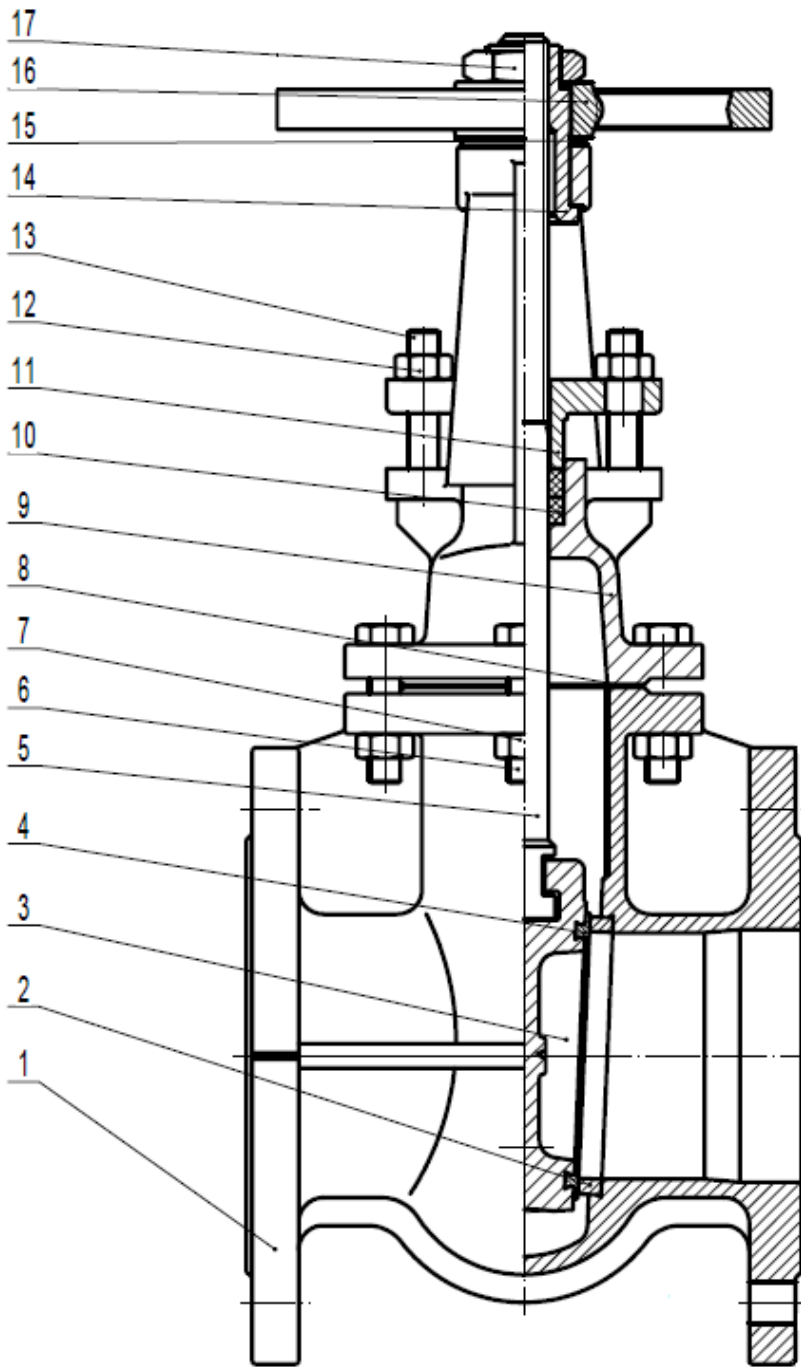
PRESSURE / TEMPERATURE GRAPH (STEAM EXCLUDED) :

Pressure (Bar)



DUCTILE IRON GATE VALVE PN16 WITH RISING STEM NF 29323

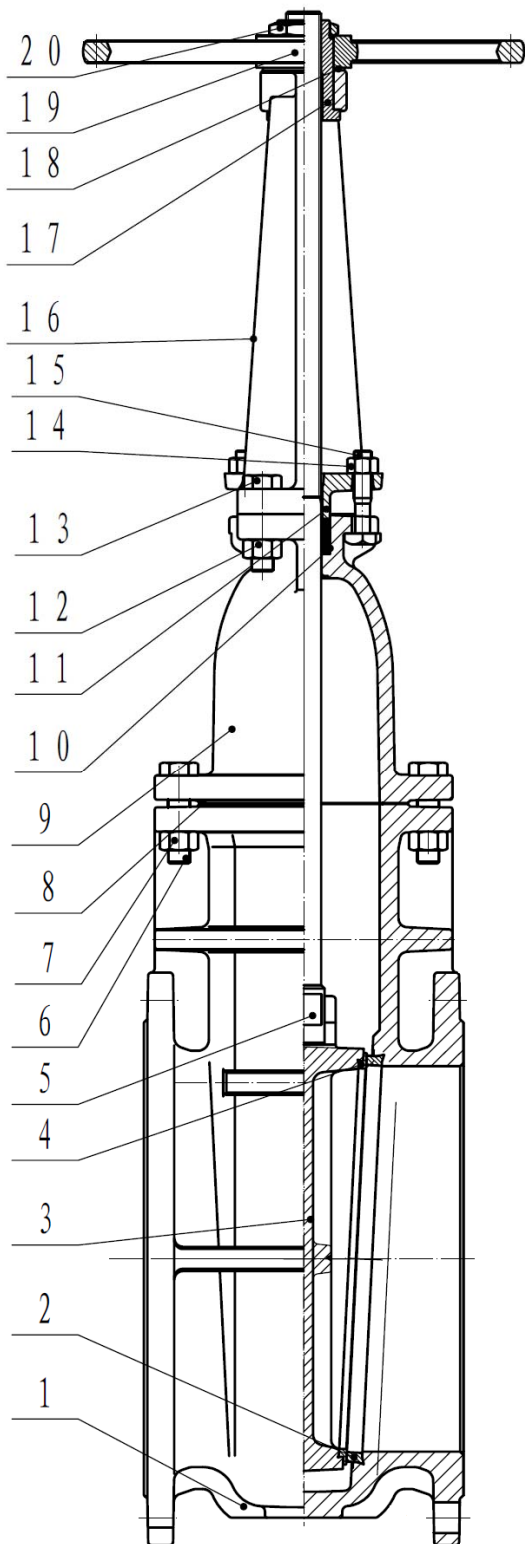
MATERIALS DN40-300 :



Item	Designation	Materials
1	Body	Ductile iron EN-GJS-500-7
2	Body seat ring	AISI 304
3	Wedge	Ductile iron EN-GJS-500-7
4	Wedge seat	AISI 304
5	Stem	AISI 420
6	Screw	Steel RSt37-2 (1.0038)
7	Nut	Steel RSt37-2 (1.0038)
8	Bonnet gasket	Graphite
9	Bonnet	Ductile iron EN-GJS-500-7
10	Packing	Graphite
11	Packing gland	Ductile iron EN-GJS-500-7
12	Nut	Steel RSt37-2 (1.0038)
13	Screw	Steel RSt37-2 (1.0038)
14	Stem nut	Brass
15	Washer	Brass
16	Handwheel	Cast iron EN GJL-250
17	Handwheel nut	Steel RSt37-2 (1.0038)

DUCTILE IRON GATE VALVE PN16 WITH RISING STEM NF 29323

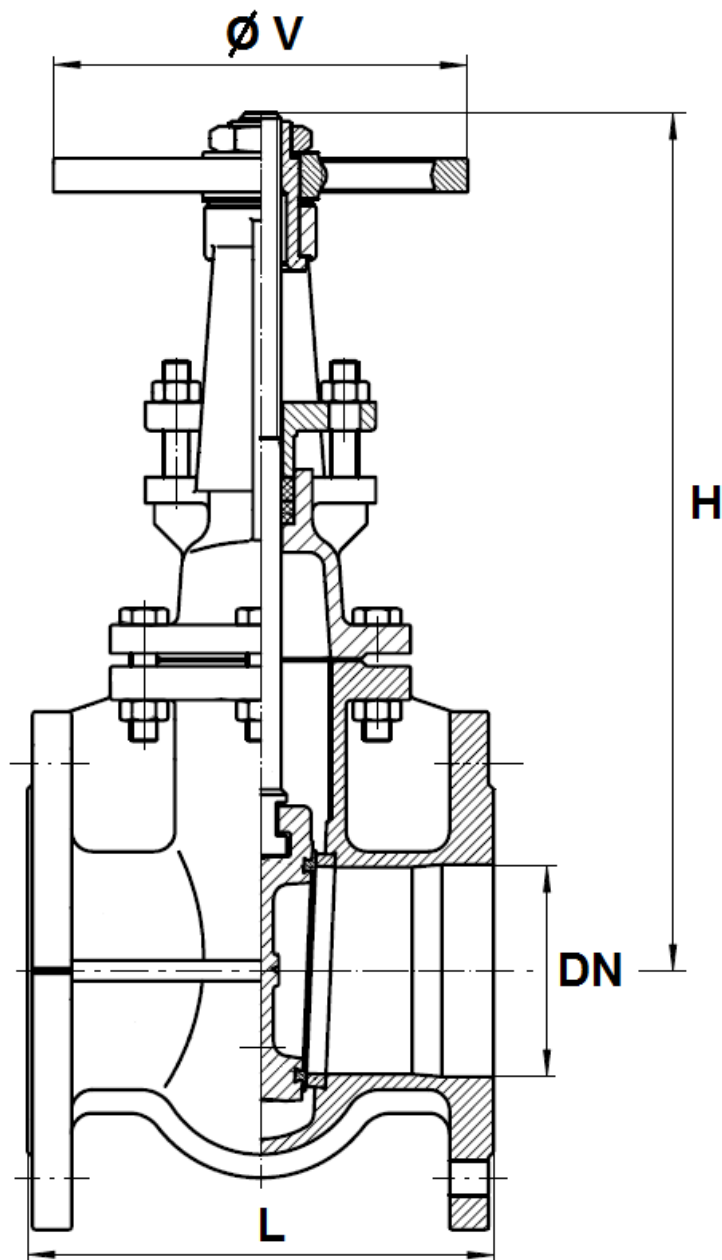
MATERIALS DN350-600 :



Item	Designation	Materials
1	Body	Ductile iron EN-GJS-450-10
2	Body seat ring	AISI 304
3	Wedge	Ductile iron EN-GJS-450-10
4	Wedge seat	AISI 304
5	Stem	AISI 420
6	Screw	Steel RSt37-2 (1.0038)
7	Nut	Steel RSt37-2 (1.0038)
8	Bonnet gasket	Graphite
9	Bonnet	Ductile iron EN-GJS-450-10
10	Packing	Graphite
11	Packing gland	Ductile iron EN-GJS-450-10
12	Nut	Steel RSt37-2 (1.0038)
13	Screw	
14	Nut	
15	Screw	
16	Yoke	Ductile iron EN-GJS-450-10
17	Stem nut	Brass
18	Washer	Brass
19	Handwheel	Cast iron EN GJL-250
17	Handwheel nut	Steel RSt37-2 (1.0038)

DUCTILE IRON GATE VALVE PN16 WITH RISING STEM NF 29323

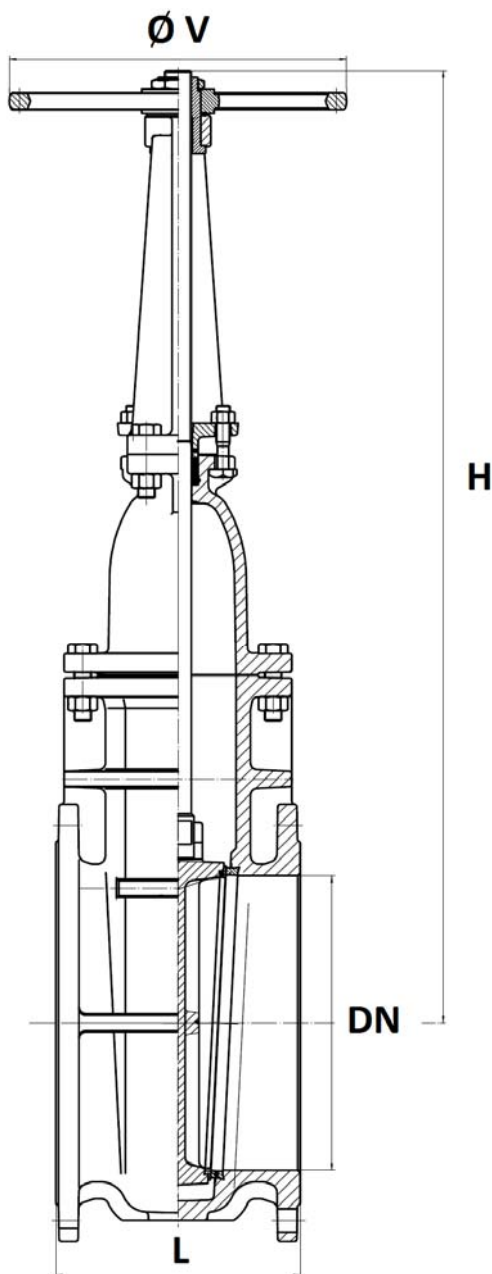
SIZE DN40-300 (in mm) :



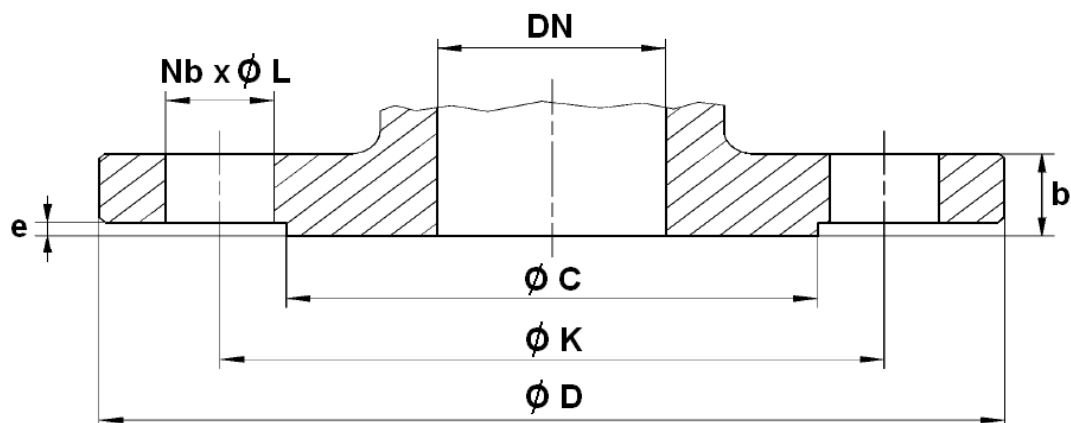
Ref.	DN	40	50	65	80	100	125	150	200	250	300
158	L	136	142	154	160	172	186	200	228	255	285
	H (closed)	244	254	294	331	385	457	545	683	823	952
	H (opened)	295	315	371	424	500	598	711	901	1092	1273
	Ø V	160	160	160	160	200	200	250	250	320	320
	Weight (Kg)	9.5	10.7	13.3	17.2	22.1	31.3	46.5	69.1	105.4	172.2

DUCTILE IRON GATE VALVE PN16 WITH RISING STEM NF 29323

SIZE DN350-600 (in mm) :

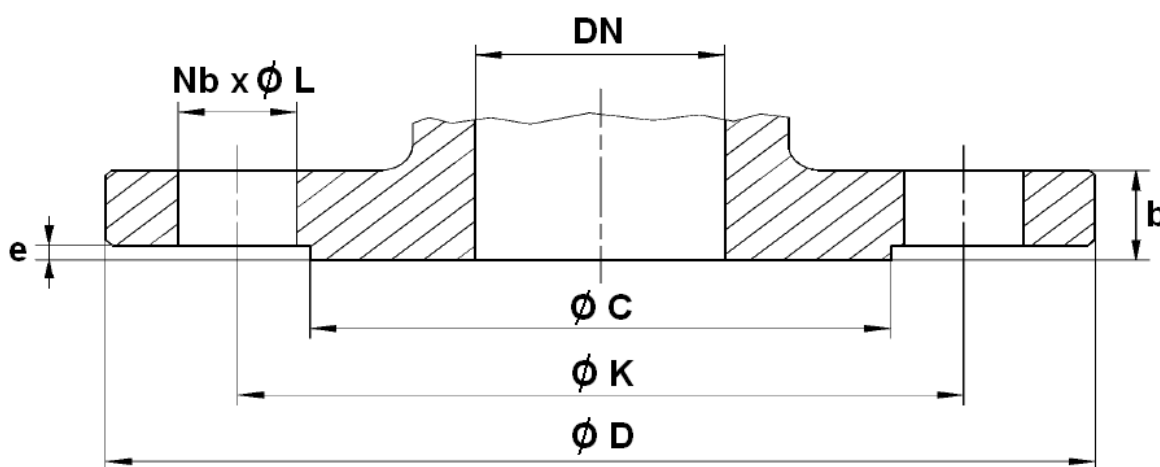


Ref.	DN	350	400	500	600
158	L	315	340	380	425
	H (closed)	1134	1286	1603	1872
	H (opened)	1507	1715	2137	2506
	Ø V	400	400	457	610
	Weight (in Kg)				

DUCTILE IRON GATE VALVE PN16 WITH RISING STEM NF 29323
FLANGES SIZE PN16 (in mm) :


DN	40	50	65	80	100	125	150	200	250	300
Ø C	80	102	124	140	158	188	212	268	319	370
Ø D	150	165	185	200	220	250	285	340	405	460
Ø K	110	125	145	160	180	210	240	295	355	410
Nb x Ø L	4 x 19	4 x 19	4 x 19	8 x 19	8 x 19	8 x 19	8 x 23	12 x 23	12 x 28	12 x 28
b	16	16	16	17	17	18	20	21	22	24.5
e	2	2	2	2	2	3	3	3	3	3
Ref.	158040	158050	158065	158080	158100	158125	158150	158200	158250	158300

DN	350	400	500	600
Ø C	429	480	609	720
Ø D	520	580	715	840
Ø K	470	525	650	770
Nb x Ø L	16 x 28	16 x 31	20 x 34	20 x 37
b	26.5	28	31.5	36
e	4	4	4	5
Ref.	158350	158400	158500	158600

DUCTILE IRON GATE VALVE PN16 WITH RISING STEM NF 29323
FLANGES SIZE PN10 (in mm) :


DN	200	250	300	350	400	500	600
Ø C	268	320	370	429	480	582	682
Ø D	340	395	445	505	565	670	780
Ø K	295	350	400	460	515	620	725
Nb x Ø L	8 x 23	12 x 23	12 x 23	16 x 23	16 x 28	20 x 28	20 x 31
b	21	23	24	24.5	24.5	26.5	30
e	3	3	4	4	4	4	5
Ref.	158201	158251	158301	158351	158401	158501	158601

DUCTILE IRON GATE VALVE PN16 WITH RISING STEM NF 29323

STANDARDS :

- Fabrication according to ISO 9001 : 2015
- DIRECTIVE 2014/68/EU : CE N° 0038
Risk category III module H
- Certificate 3.1 on request
- Pressure tests according to EN 12266-1, rate B
- Length according to EN 558 series 29 (NF 29323)
- Flanged R.F. according to EN 1092-2 PN10/16
- Design according to DIN 3352

ADVICE : Our opinion and our advice are not guaranteed and SFERACO shall not be liable for the consequences of damages.
The customer must check the right choice of the products with the real service conditions.

DUCTILE IRON GATE VALVE PN16 WITH RISING STEM NF 29323**INSTALLATION INSTRUCTIONS****GENERAL GUIDELINES :**

- Ensure that the valves to be used are appropriate for the conditions of the installation (type of fluid, pressure and temperature).
- Be sure to have enough valves to be able to isolate the sections of piping as well as the appropriate equipment for maintenance and repair.
- Ensure that the valves to be installed are of correct strength to be able to support the capacity of their usage.
- **Installation of all circuits should ensure that their function can be automatically tested on a regular basis (at least two times a year).**

INSTALLATION INSTRUCTIONS :

- **Before installing the valves, clean and remove any objects from the pipes** (in particular bits of sealing and metal) which could obstruct and block the valves.
- **Ensure that both connecting pipes either side of the valve (upstream and downstream) are aligned (if they're not, the valves may not work correctly).**
- **Make sure that the two sections of the pipe (upstream and downstream) match, the valve unit will not absorb any gaps. Any distortions in the pipes may affect the tightness of the connection, the working of the valve and can even cause a rupture.** To be sure, place the kit in position to ensure the assembling will work.
- **If sections of piping do not have their final support in place, they should be temporarily fixed. This is to avoid unnecessary strain on the valve.**
- Tighten the bolts in cross.
- It's recommended to operate the valve (open and close) 1 to 2 times per year
- **It may be necessary to screw the packing gland during using according to the type of use.**
- **Do not use a tool to shut the valve**
- **Fluids in the valve must not contain solid objects (it could damaged the seat).**