

VS 40/VS 41 - Blue steel lever

CHARACTERISTICS

The VS 40 brass ball valve is intended for the manual cutting of common industrial fluids such as water, compressed air and hydrocarbons. Injectable axis.

AVAILABLE MODELS

Full passage
 Diameters ½ " to 2 "
 VS40 : connections G F/F
 VS41 : connections G M/F

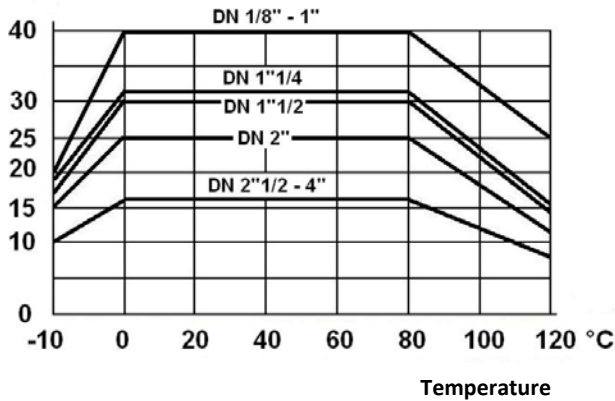


LIMITS OF EMPLOYMENT

Fluid pressure : PS	½" to 1"	40 bar
	1" ¼ - 1" ½	30 bar
	2"	25 bar
Fluid temperature : TS	-10°C / +120°C	




Pressure (bar)



GUIDELINES AND CONSTRUCTION STANDARDS

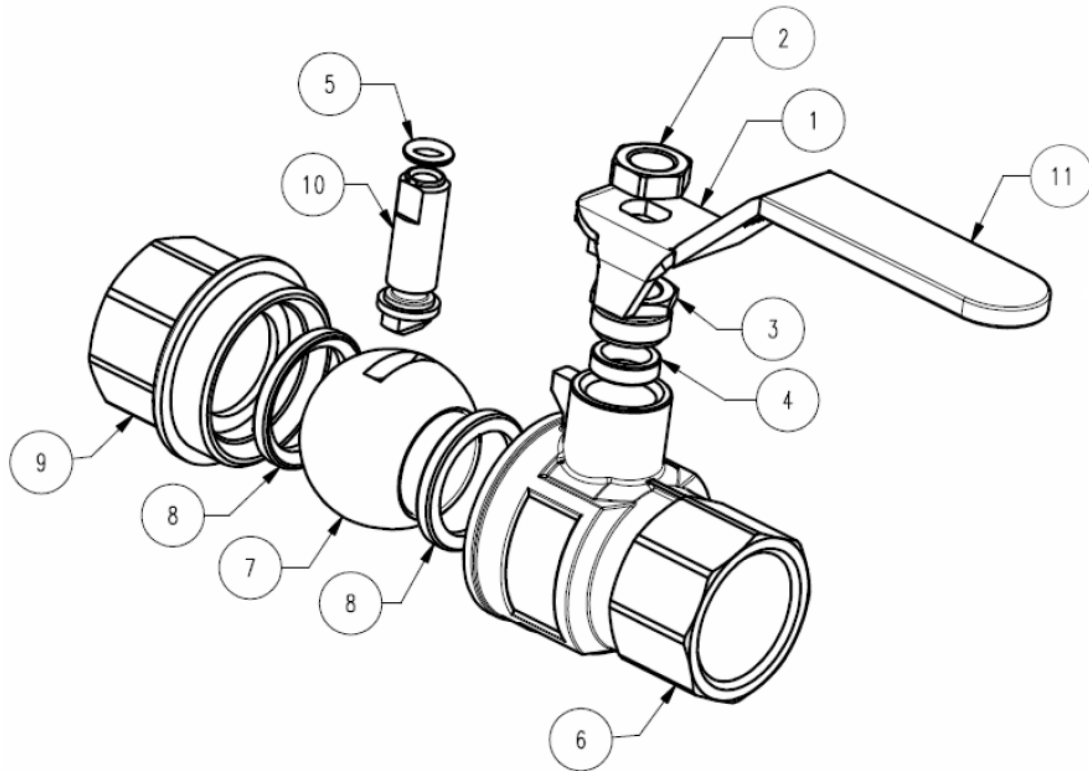
	Norme
CE pressure directive 97/23	¼" to 1" : not subject
	1" ¼ to 2" : article 3 § 3 : prohibited use on Group I gases
Shades of brasses	EN 12164

Information given for information only and subject to possible modifications

	Lauridsen industri Høgevej 9 Denmark, Esbjerg Ø 6705 Tel : +45 75 12 62 74 – M : +45 41 19 26 66 lauridsenindustri.dk /E-mail : Info@lauridsenindustri.dk	Nbr. pages	3
		Ref.	179
		Rev.	0
		Date	03/2012


VS 40/VS 41 - Blue steel lever

CONSTRUCTION



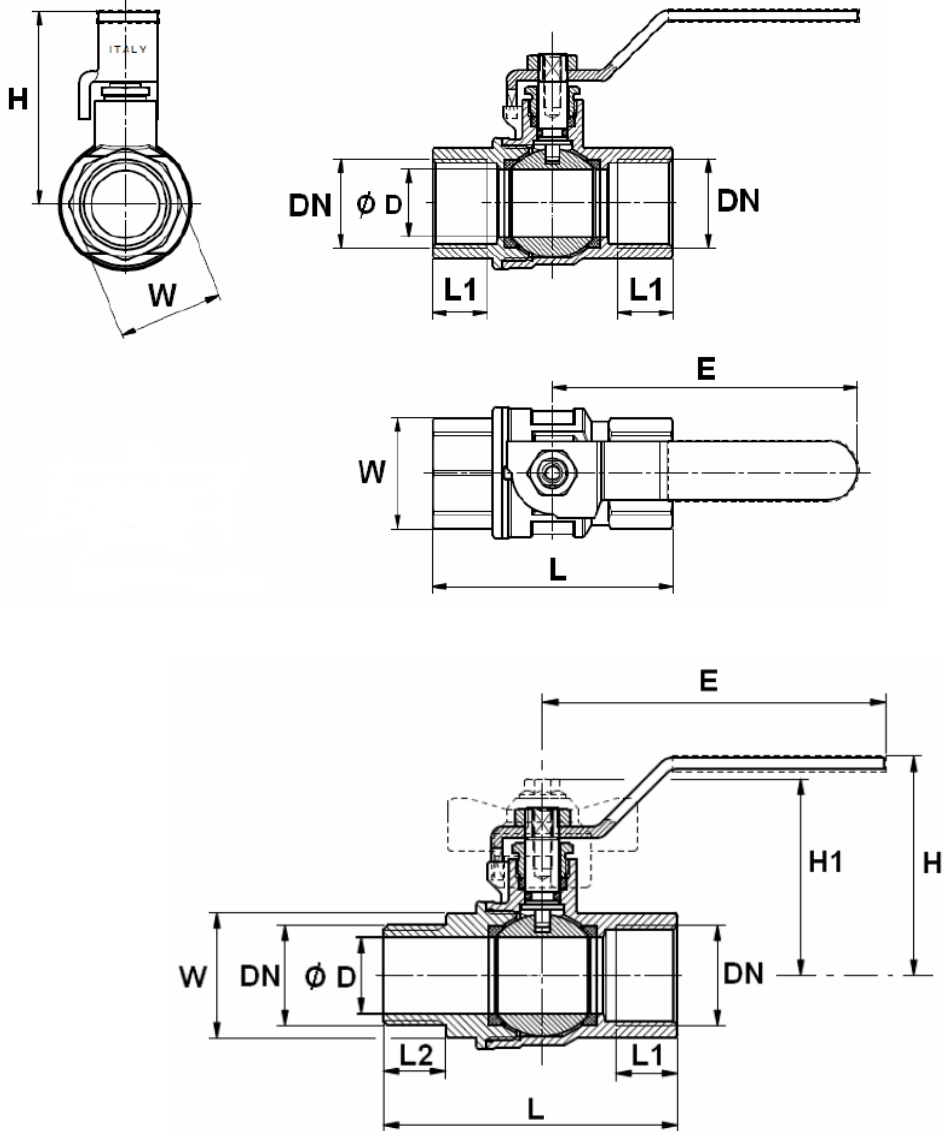
n°	Item	Material
1	The sink	Galvanized steel
2	Nut	Steel
3	Cable gland crusher	Brass CW617N
4	Gland	PTFE
5	O-ring	FPM
6	Body	Brass CW617N
7	Sphere	Brass CW617N
8	Seating	PTFE
9	Tip	Brass CW617N
10	Axis	Brass CW614N
11	Sheath	PVC

Information given for information only and subject to possible modifications

	Lauridsen industri Høgevej 9 Denmark, Esbjerg Ø 6705 Tel : +45 75 12 62 74 – M : +45 41 19 26 66 lauridsenindustri.dk /E-mail : Info@lauridsenindustri.dk	Nbr. pages	3
		Ref.	179
		Rev.	0
		Date	03/2012


VS 40/VS 41 - Blue steel lever

DIMENSIONS (mm)



DN	½"	¾"	1"	1" ¼	1" ½	2"
Ø D	15	20	25	32	40	49
L	62	71	81,5	92	102	126
L1	15	16,3	19,1	21,4	21,4	26
L2	15	16,5	19,5	21,5	21,5	26,5
E	90	90	125	125	150	150
H	53,5	57,5	66,5	72	83,5	90
W	26	31	38	48	55	68
Poids (kg)	0,26	0,34	0,61	0,87	1,33	1,99

Information given for information only and subject to possible modifications

	Lauridsen industri Høgevej 9 Denmark, Esbjerg Ø 6705 Tel : +45 75 12 62 74 – M : +45 41 19 26 66 lauridsenindustri.dk /E-mail : Info@lauridsenindustri.dk	Nbr. pages	3
		Ref.	179
		Rev.	0
		Date	03/2012