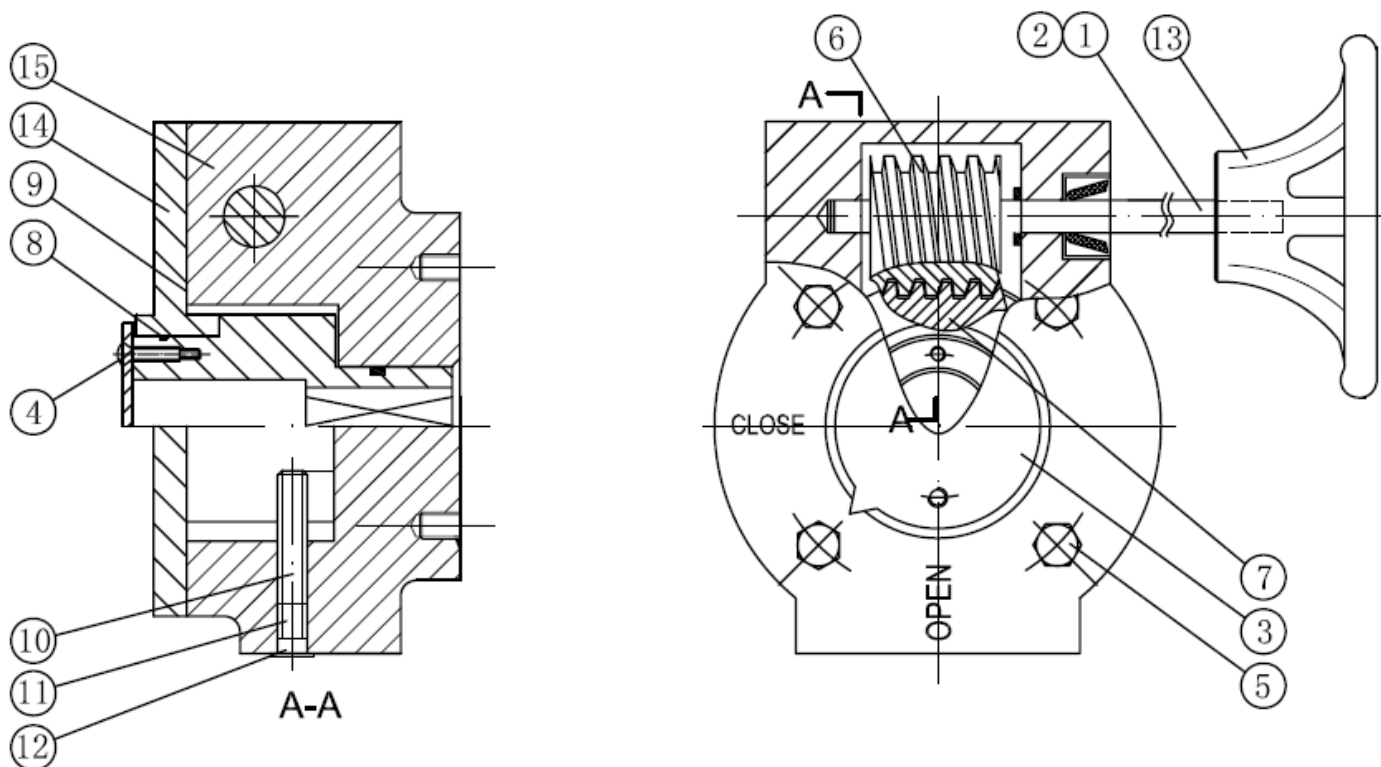
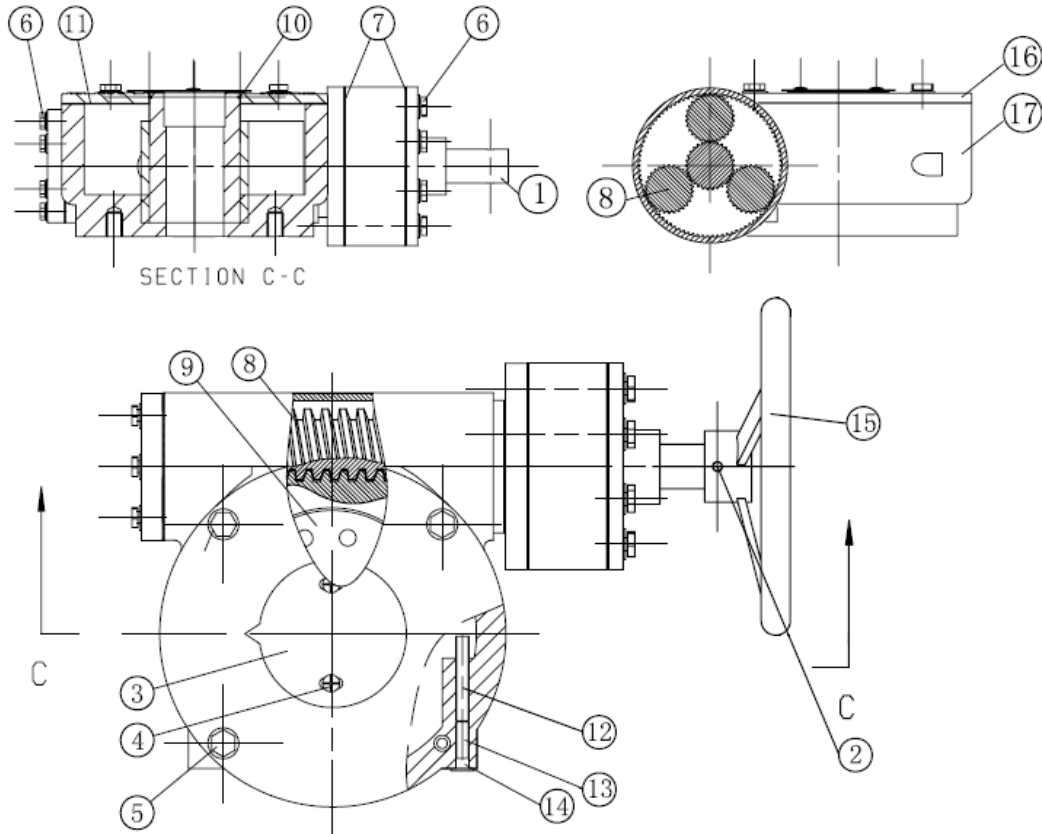


**WAFER BUTTERFLY VALVE PN10/16**
**MATERIALS GEARBOX DN40-450 :**


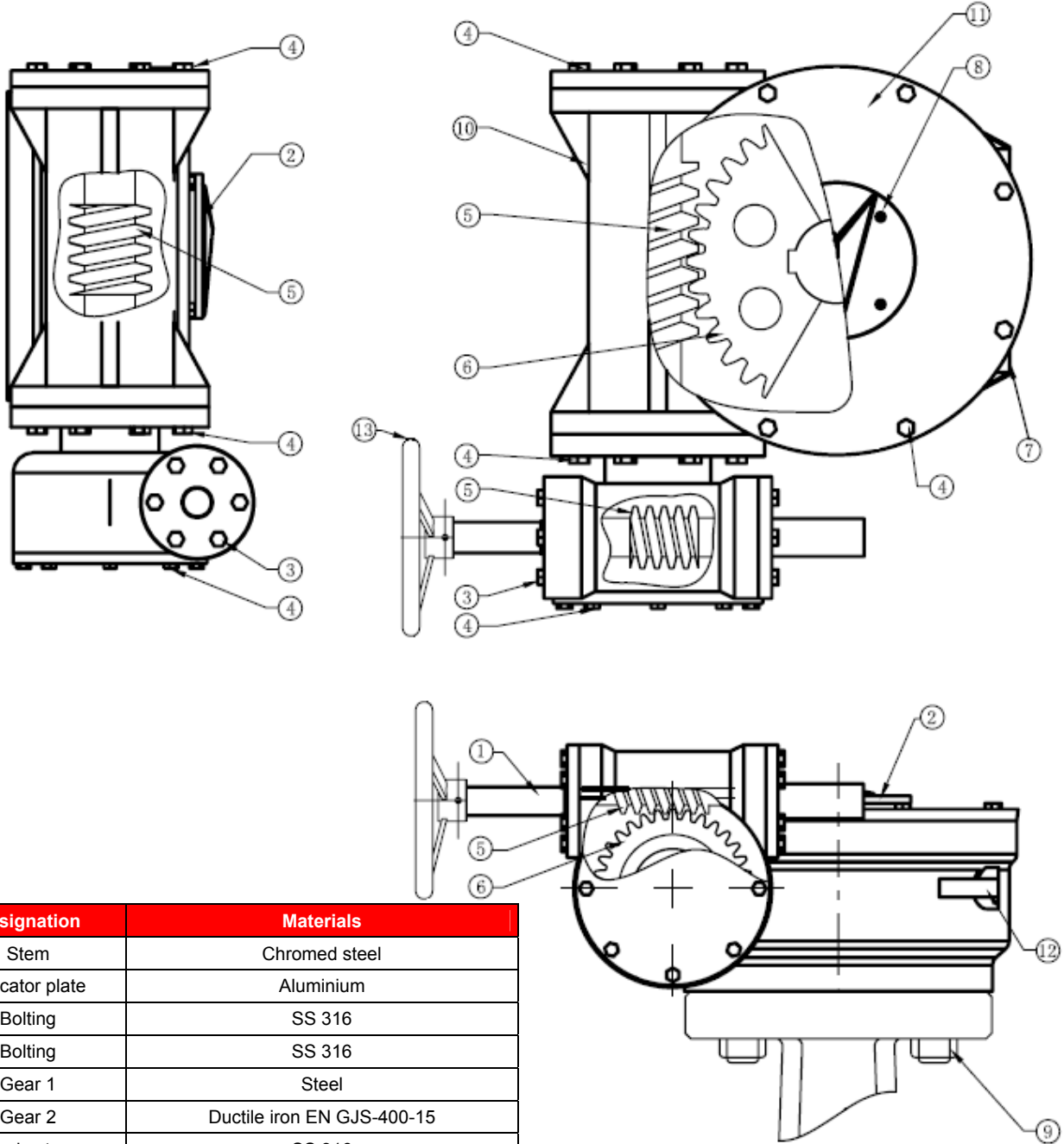
Item	Designation	Materials
1	Stem	Chromed steel
2	Pin	SS 316
3	Indicator plate	Aluminium + NBR gasket
4	Indicator bolt, washer	SS 316
5	Bolt, washer	SS 316
6	Gear 1	Steel
7	Gear 2	Ductile iron EN GJS-400-15
8	O ring	NBR
9	Bonnet gasket	NBR
10	Internal set screw	Carbon steel
11	External set screw	SS 316
12	Plastic cap	Plastic
13	Handwheel	Cast iron EN GJL-250 epoxy coating
14	Bonnet	Cast iron EN GJL-250 epoxy coating
15	Body	Cast iron EN GJL-250 epoxy coating
	Bolting to fix on valve	SS 304

**WAFER BUTTERFLY VALVE PN10/16**
**MATERIALS GEARBOX DN500-600 :**


Item	Designation	Materials
1	Stem	Chromed steel
2	Pin	SS 316
3	Indicator plate	Aluminium + NBR
4	Indicator bolt, washer	SS 316
5	Bolt, washer	SS 316
6	Bolting	SS 316
7	Body gasket	NBR
8	Gear 1	Steel
9	Gear 2	Ductile iron EN GJS-400-15
10	O ring	NBR
11	Bonnet gasket	NBR
12	Internal set screw	Acier
13	External set screw	SS 316
14	Cap	Plastic
15	Handwheel	Cast iron EN GJL-250 epoxy coating
16	Bonnet	Cast iron EN GJL-250 epoxy coating
17	Body	Cast iron EN GJL-250 epoxy coating
	Bolting to fix on valve	SS 304

## WAFFER BUTTERFLY VALVE PN10/16

**MATERIALS GEARBOX DN700-1200 :**



Item	Designation	Materials
1	Stem	Chromed steel
2	Indicator plate	Aluminium
3	Bolting	SS 316
4	Bolting	SS 316
5	Gear 1	Steel
6	Gear 2	Ductile iron EN GJS-400-15
7	External set screw	SS 316
8	Screw	SS 316
9	Bolting	SS 304
10	Body	Cast iron EN GJL-250 epoxy coating
11	Bonnet	Cast iron EN GJL-250 epoxy coating
12	Internal set screw	Steel
13	Handwheel	Ductile iron EN GJS-400-15 epoxy coating