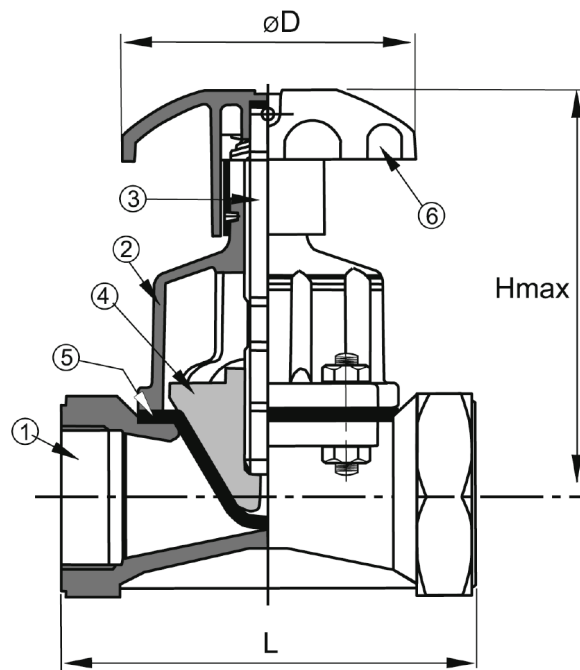




**Diaphragm Valve
PN 16 Thread Straight GG25**

Model/Ref: 469452



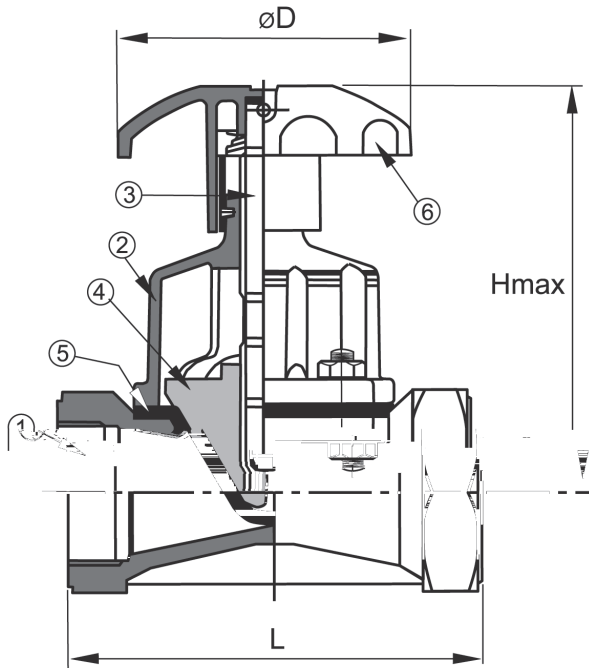
*Partnership.
Without Limits.*

www.lauridsenindustri.com

Diaphragm Valve PN 16 Thread Straight GG25

No	Part	Material
1	Body	Cast iron GG25
2	Bonnet	Cast iron GG25
3	Stem	Cast steel GSC25
4	Disc	Cast iron GG25
5	Diaphragm	NBR
6	Handwheel	Cast iron GG25
7		
8		
9		
10		

Variants:
 Diaphragm EPDM
 Diaphragm Natural-rubber



Other dimensions/materials on request

DN	G	D	L	Hmax	Max working-pressure		Weight Kg
					Mpa	120 °C EPDM	
25	1"	120	111	164	1,6		2,2
32	1 1/4"	120	124	164	1,6		3,0
40	1 1/2"	120	143	164	1,6		3,9
50	2"	120	168	189	1,6		4,6