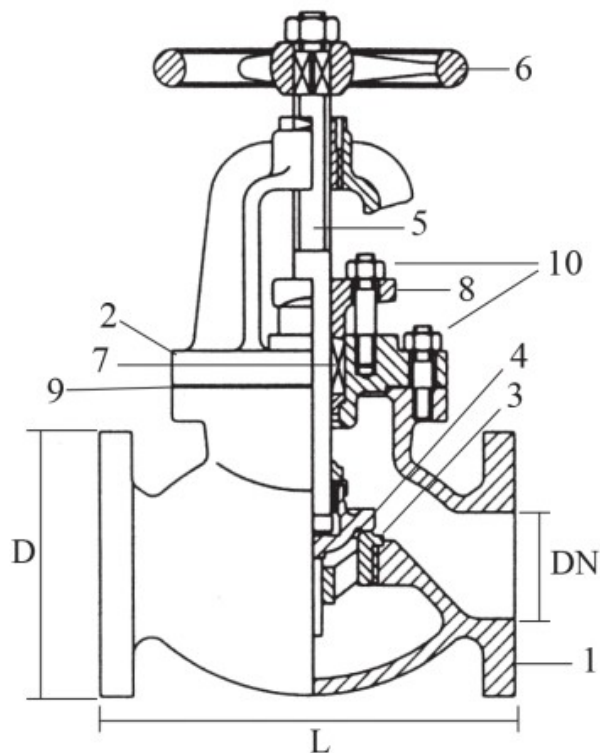




Stop Valve JIS 5K Flange Straight GG25

Model/Ref: F-7305-F-7353

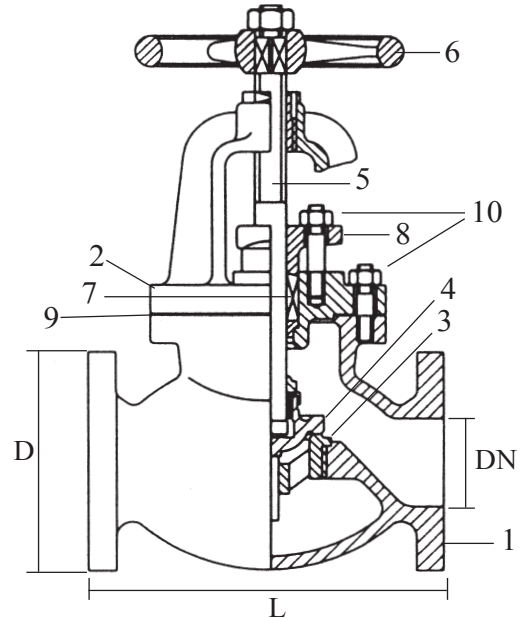


*Partnership.
Without Limits.*

www.lauridsen-group.dk

Stop Valve JIS 5K Flange Straight GG25

| No | Part | Material |
|----|--------------|----------------------|
| 1 | Body | Cast iron GG25 |
| 2 | Bonnet | Cast iron GG25 |
| 3 | Seat ring | Bronze Rg5 |
| 4 | Disc | Bronze Rg5 |
| 5 | Stem | Special brass |
| 6 | Handwheel | Cast iron |
| 7 | Glandpacking | Graphite |
| 8 | Gland | Bronze Rg5 |
| 9 | Gasket | Graphite |
| 10 | Bolt/Nut | Brass / Rolled steel |
| 11 | | |
| 12 | | |
| 13 | | |
| 14 | | |
| 15 | | |



Variants:

S.D.N.R. = Non-return disc F-7353
Stainless steel trim

Other dimensions/materials on request

| DN | D | n | Hcd | d | L | Max working-pressure | | Weight Kg |
|-----|-----|----|-----|----|-----|---------------------------|---------------------------|-----------|
| | | | | | | Kg/cm ² 120 °C | Kg/cm ² 205 °C | |
| 50 | 130 | 4 | 105 | 15 | 210 | 7 bar | 5 bar | 14,7 |
| 65 | 155 | 4 | 130 | 15 | 250 | 7 bar | 5 bar | 21,3 |
| 80 | 180 | 4 | 145 | 19 | 280 | 7 bar | 5 bar | 27,7 |
| 100 | 200 | 8 | 165 | 19 | 340 | 7 bar | 5 bar | 40,8 |
| 125 | 235 | 8 | 200 | 19 | 410 | 7 bar | 5 bar | 57,6 |
| 150 | 265 | 8 | 230 | 19 | 480 | 7 bar | 5 bar | 80,3 |
| 200 | 320 | 8 | 280 | 23 | 570 | 7 bar | 5 bar | 139,0 |
| 250 | 385 | 12 | 345 | 23 | 740 | 7 bar | 5 bar | 246,0 |
| 300 | 430 | 12 | 390 | 23 | 840 | 7 bar | 5 bar | 377,0 |
| 350 | 480 | 12 | 435 | 25 | 940 | 1 bar | 5 bar | 462,0 |
| | | | | | | | | |
| | | | | | | | | |
| | | | | | | | | |
| | | | | | | | | |