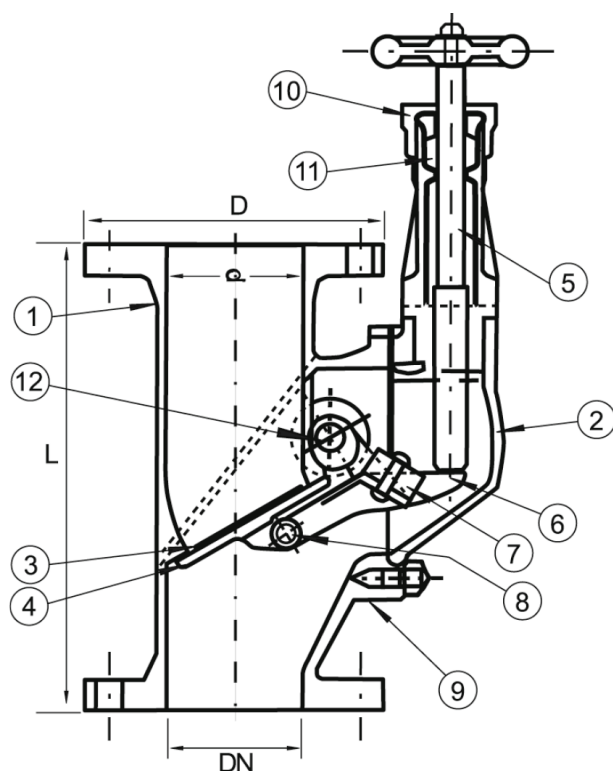




## Storm Flap Valve JIS 5K Flange Straight GSC25

Model/Ref: F-3060

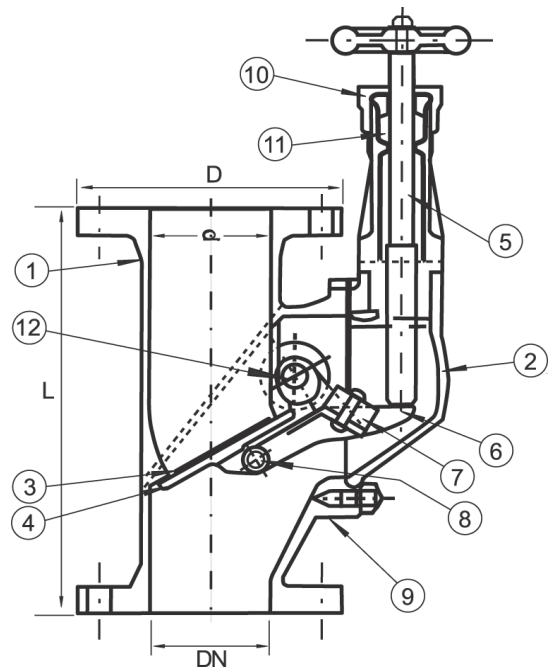


*Partnership.  
Without Limits.*

[www.lauridsenindustri.com](http://www.lauridsenindustri.com)

**Storm Flap Valve JIS 5K Flange Straight GSC25**

No	Part	Material
1	Body	Cast steel GSC25
2	Bonnet	Cast steel GSC25
3	Packing	Neopren
4	Disc	Bronze Rg5
5	Stem	Special brass
6	Disc lever	Bronze Rg5
7	Weight	Lead
8	Pin	Brass
9	Gasket	Graphite
10	Gland	Bronze Rg5
11	Gland packing	Graphite
12	Plug	Brass
13		
14		
15		


**Variants:**

Material in Bronze F-3059

Flange drilling 10K

Other dimensions/materials on request

DN	D	n	Hcd	d	L	Max working-pressure		Weight Kg
						Kg/cm <sup>2</sup> 120 °C	Kg/cm <sup>2</sup>	
50	130	4	105	15	210	5 bar		11,5
65	155	4	130	15	240	5 bar		16,5
80	180	4	145	19	260	5 bar		21,6
100	200	8	165	19	280	5 bar		29,6
125	235	8	200	19	330	5 bar		43,6
150	265	8	230	19	360	5 bar		51,6
200	320	8	280	23	450	5 bar		82