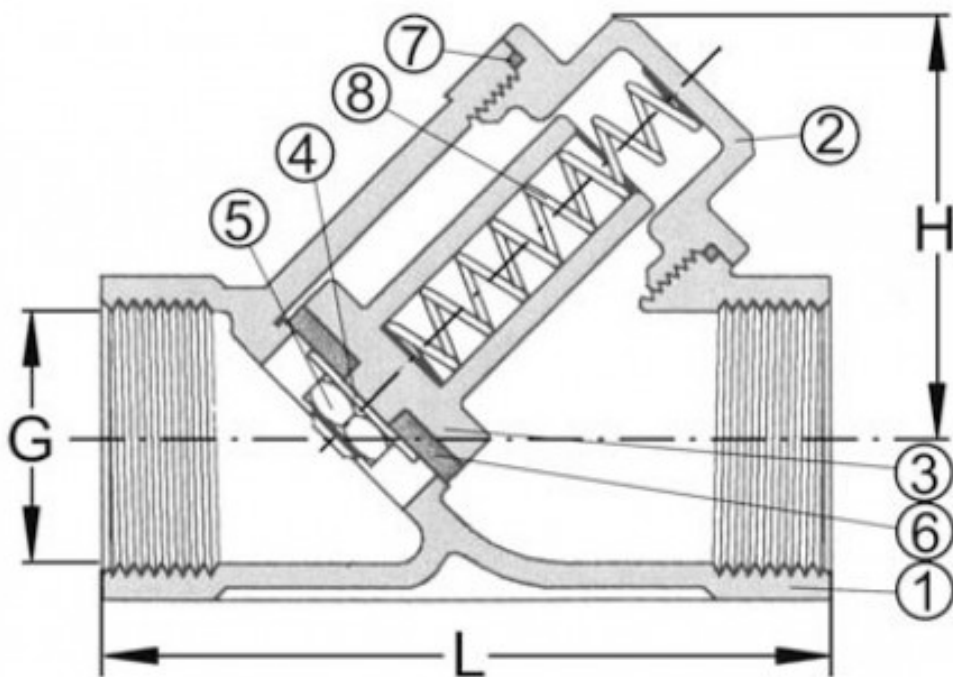




C□□□□ V□□□□ PN 40  
T□□□□□ S□□□□□□ SS316

Model/Ref: 471494

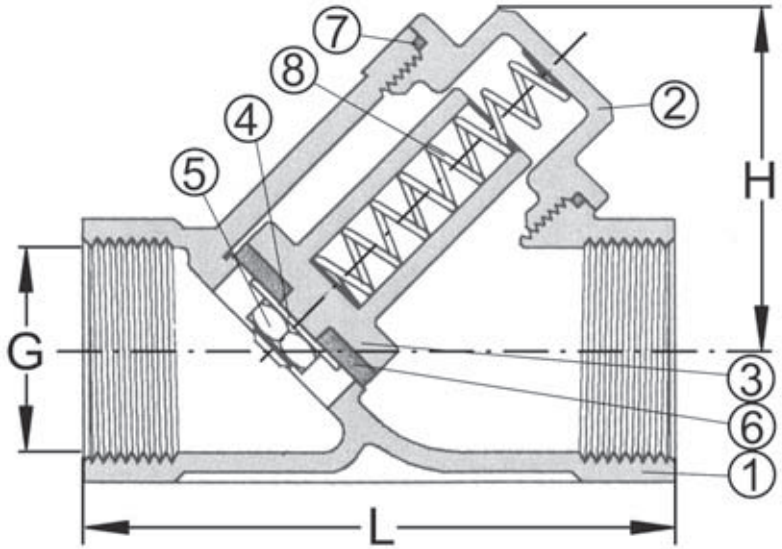


*Partnership.  
Without Limits.*

[www.lauridsen-group.dk](http://www.lauridsen-group.dk)

C □ □ □ □ V □ □ □ □ PN 40 T □ □ □ □ S □ □ □ □ □ SS316

No	Part	Material
1	Body	Stainless steel SS316
2	Cap	Stainless steel SS316
3	Disc	Stainless steel SS316
4	Washer	Stainless steel SS316
5	Bolt	Stainless steel SS304
6	Disc ring	PTFE
7	Gasket	PTFE
8	Spring	Stainless steel SS316



**Variants:**  
Other dimensions/materials on request

DN	G				L	H	Max working-pressure		Weight Kg
							Mpa 20 °C	Mpa 300 °C	
8	1/4"				65	35	4,0	2,9	0,3
10	3/8"				65	35	4,0	2,9	0,3
15	1/2"				65	39	4,0	2,9	0,3
20	3/4"				75	44	4,0	2,9	0,4
25	1"				90	52	4,0	2,9	0,6
32	1 1/4"				110	62	4,0	2,9	0,9
40	1 1/2"				120	69	4,0	2,9	1,1
50	2"				150	87	4,0	2,9	1,6