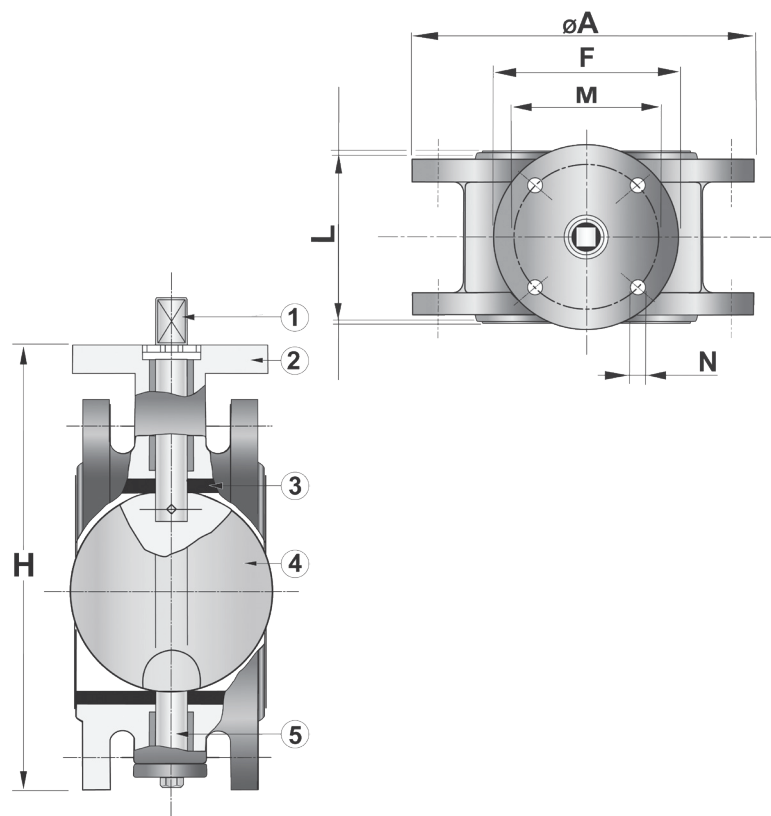




Butterfly PN 16/10 Flange Straight SS316

Model/Ref: 740702_741702

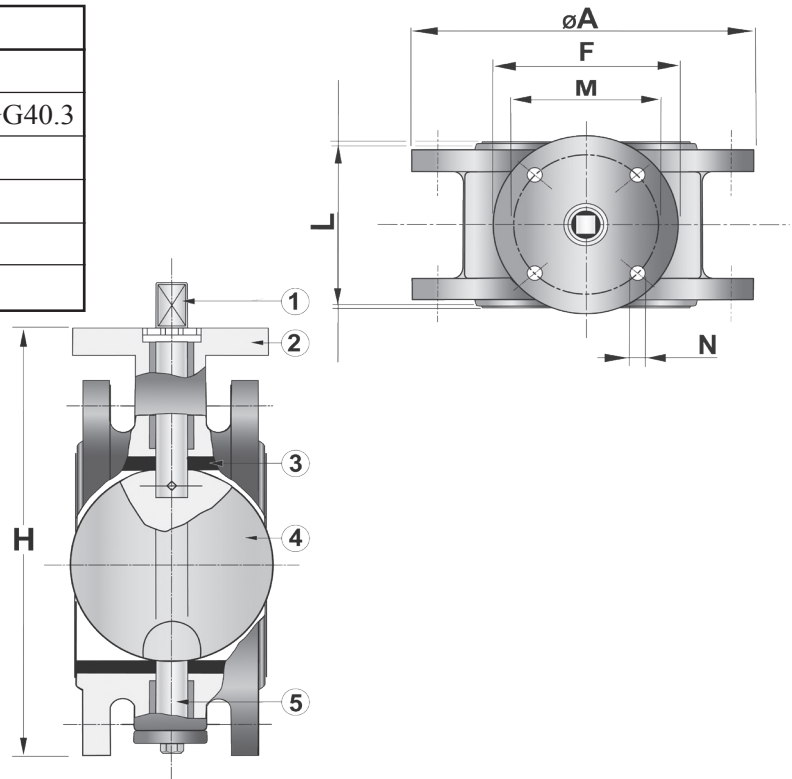


*Partnership.
Without Limits.*

www.lauridsenindustri.com

Butterfly PN 16/10 Flange Straight SS316

No	Part	Material
1	Shaft	Stainless steel SS316
2	Body	Nodular Cast iron GGG40.3
3	Seal (740702)	Nitril (NBR)
	Seal (741702)	EPDM
4	Disc	Aluminium bronze
5	Shaft	Stainless steel SS316


Variants:

With handlever
 Various actuators and gearboxes
 Viton seal
 DN 200-600 available to fit PN16
 Other dimensions/materials on request

DN	A	L	F	M	N	H	Max working pressure Mpa		Weight Kg
							NBR 80 °C	EPDM 110 °C	
65	185	170	90	66	9	216	1,6	1,6	15,0
80	200	180	110	66	9	232	1,6	1,6	18,0
100	220	190	110	66	9	252	1,6	1,6	20,0
125	250	200	110	80	11	298	1,6	1,6	28,0
150	285	210	110	80	11	318	1,6	1,6	30,0
740701/741701 PN10									
200	340	230	130	80	11	409	1,0	1,0	41,0
250	395	250	175	135	14	466	1,0	1,0	74,0
300	445	270	175	135	14	516	1,0	1,0	86,0
350	505	290	175	135	14	582	1,0	1,0	106,0
400	565	310	175	135	14	632	1,0	1,0	120,0
450	615	330	175	135	14	705	1,0	1,0	150,0
500	670	350	175	135	14	760	1,0	1,0	220,0
600	780	390	200	160	18	893	1,0	1,0	308,0
700	895	430	200	160	18	997	1,0	1,0	380,0