

ELECTRIC ACTUATOR SA 05 + PCU

MAIN CHARACTERISTICS

The electric actuator SA 05 PCU is intended for the motorization of ¼ turn valves for industrial purpose. The operating torque is 50 Nm. Of compact and sturdy construction with aluminum case epoxy IP67, The actuator SA is particularly well adapted to the motorization of painted ball and butterfly valves installed in workshop or outside. The SA 05 PCU is provided with a manual device by key and with a 3D visual indicator of position. Functioning 3 points. Proportional control 4-20mA. it is in accordance with the standard EN 15714-2.

AVAILABLE MODELS

Voltages of supply : 230V CA (50-60Hz), 24V CA/CC

LIMITS OF USE

| | |
|--------------------------|----------------|
| Indication of protection | IP 67 |
| Room temperature | - 20°C / +70°C |
| Duty Factor | S2-70% |



MECHANICAL CHARACTERISTICS

| | |
|-------------------|--------------------|
| Gear | Steel cogs handled |
| Torque | 50 Nm |
| Angle of rotation | 90° +/- 5° |
| Declutch | Without |
| Manual override | By key |



| | | |
|-----------------------|---------------------|-----------|
| Actuator | SA 05 + PCU | |
| Voltage | 230V CA | 24V CA/CC |
| Torque (Nm) | 50 | |
| Time of operation (s) | 17 | 17 |
| ISO 5211 | F03/F05/F07 Star 14 | |

ELECTRIC CHARACTERISTICS

| | | | |
|-------------------------|--------------------------|---------------------|------------------|
| Protection of the motor | Thermal regulation | Resistance heater | resistance 2W |
| Limit swithes | 2 adjustable swithes | Electric connecting | 2 x P.E. M20x1.5 |
| Auxiliary swithes | 2 adjustable dry swithes | | |

| | | |
|-----------------------|-------------|-----------|
| Actuator | SA 05 + PCU | |
| Voltages | 230V CA | 24V CA/CC |
| Power consumption (W) | 6 W | 15 W |
| Intensity (A) | 0,24 | 1,8 |

Modifications reserved



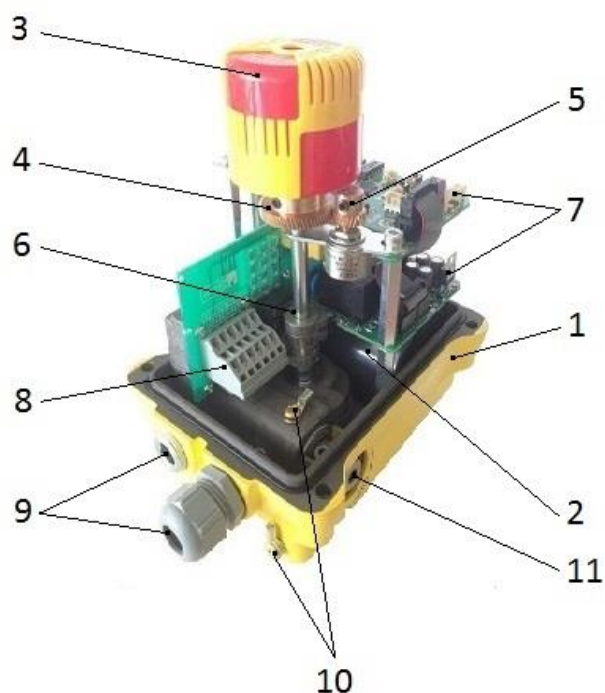
SECTORIEL S.A.
45, rue du Ruisseau
38290 SAINT QUENTIN-FALLAVIER – FRANCE
Tél : +33 4 74 94 90 70 - Fax : +33 4 74 94 13 95
www.sectoriel.fr / Email : sectoriel@sectoriel.fr

| | |
|-------|-------------|
| Pages | 1/5 |
| Ref. | FT23050 ENG |
| Rev. | 06 |
| Date | 05/2019 |

ELECTRIC ACTUATOR SA 05 + PCU

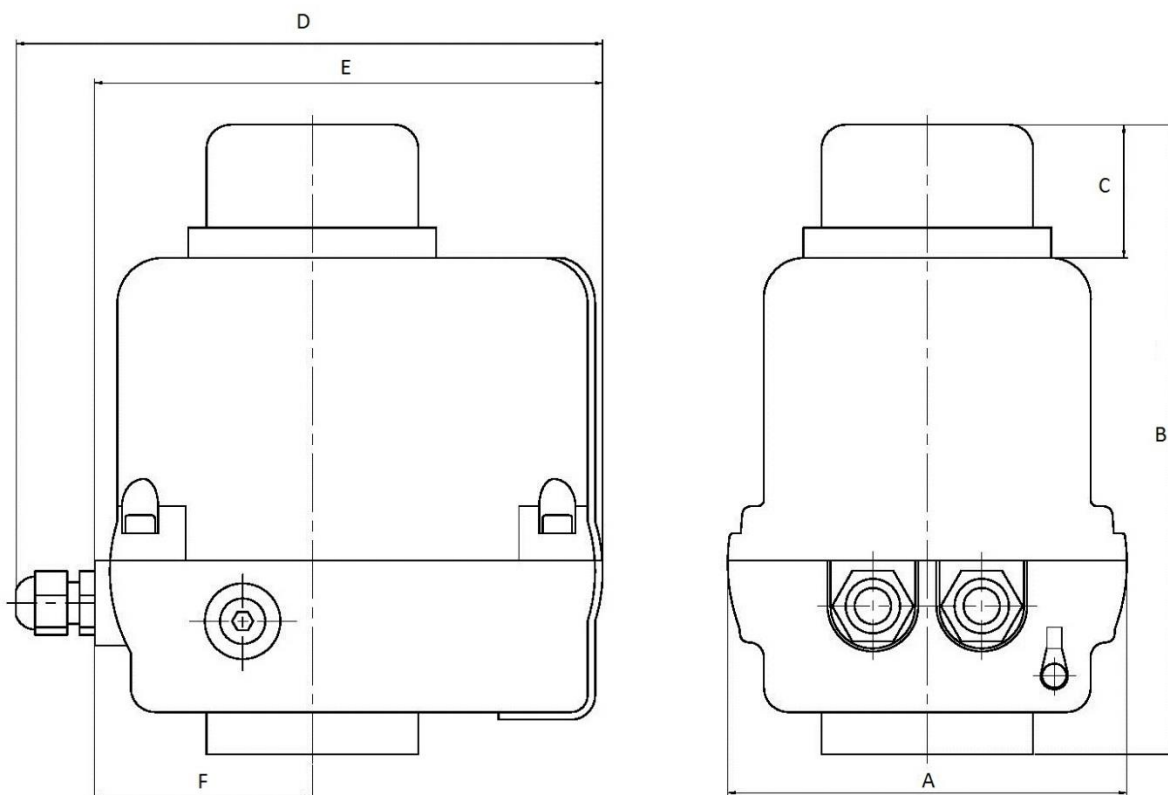
CONSTRUCTION

| N° | Item |
|----|-----------------------|
| 1 | Housing |
| 2 | Electric motor |
| 3 | Position indicator |
| 4 | Wheel |
| 5 | Potentiometer of copy |
| 6 | Cams |
| 7 | Regulation PCB |
| 8 | Terminal block |
| 9 | Cables entrances |
| 10 | Earthing |
| 11 | Manual override |



DIMENSIONS (mm) AND WEIGHT (kg)

| Dimensions (mm) | A | B | C | D | E | F | Weight (Kg) |
|-----------------|-----|-----|----|-----|-----|----|-------------|
| SA 05 + PCU | 132 | 208 | 44 | 194 | 168 | 72 | 4 |



Modifications reserved



SECTORIEL S.A.
 45, rue du Ruisseau
 38290 SAINT QUENTIN-FALLAVIER – FRANCE
 Tél : +33 4 74 94 90 70 - Fax : +33 4 74 94 13 95
www.sectoriel.fr / Email : sectoriel@sectoriel.fr

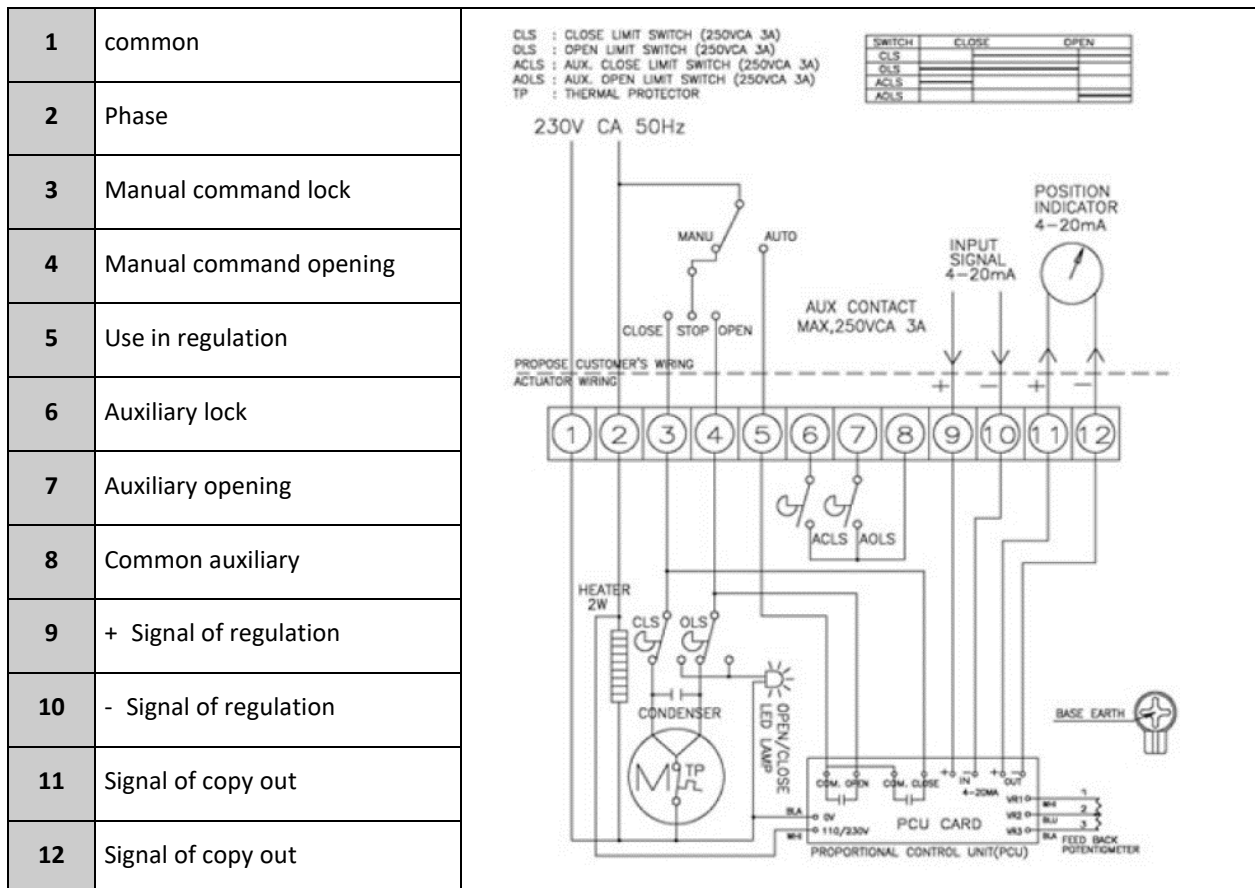
| | |
|-------|-------------|
| Pages | 2/5 |
| Ref. | FT23050 ENG |
| Rev. | 06 |
| Date | 05/2019 |

ELECTRIC ACTUATOR SA 05 + PCU

SIGNALS OF REGULATION

| Input signals | Signals of copy |
|---------------|-----------------|
| 0 - 5 V | 4 - 20 mA |
| 0 - 10 V | |
| 2 - 10 V | |
| 1 - 5 V | |
| 4 - 20 mA | |

WIRING DIAGRAM 230V CA 50Hz



Modifications reserved

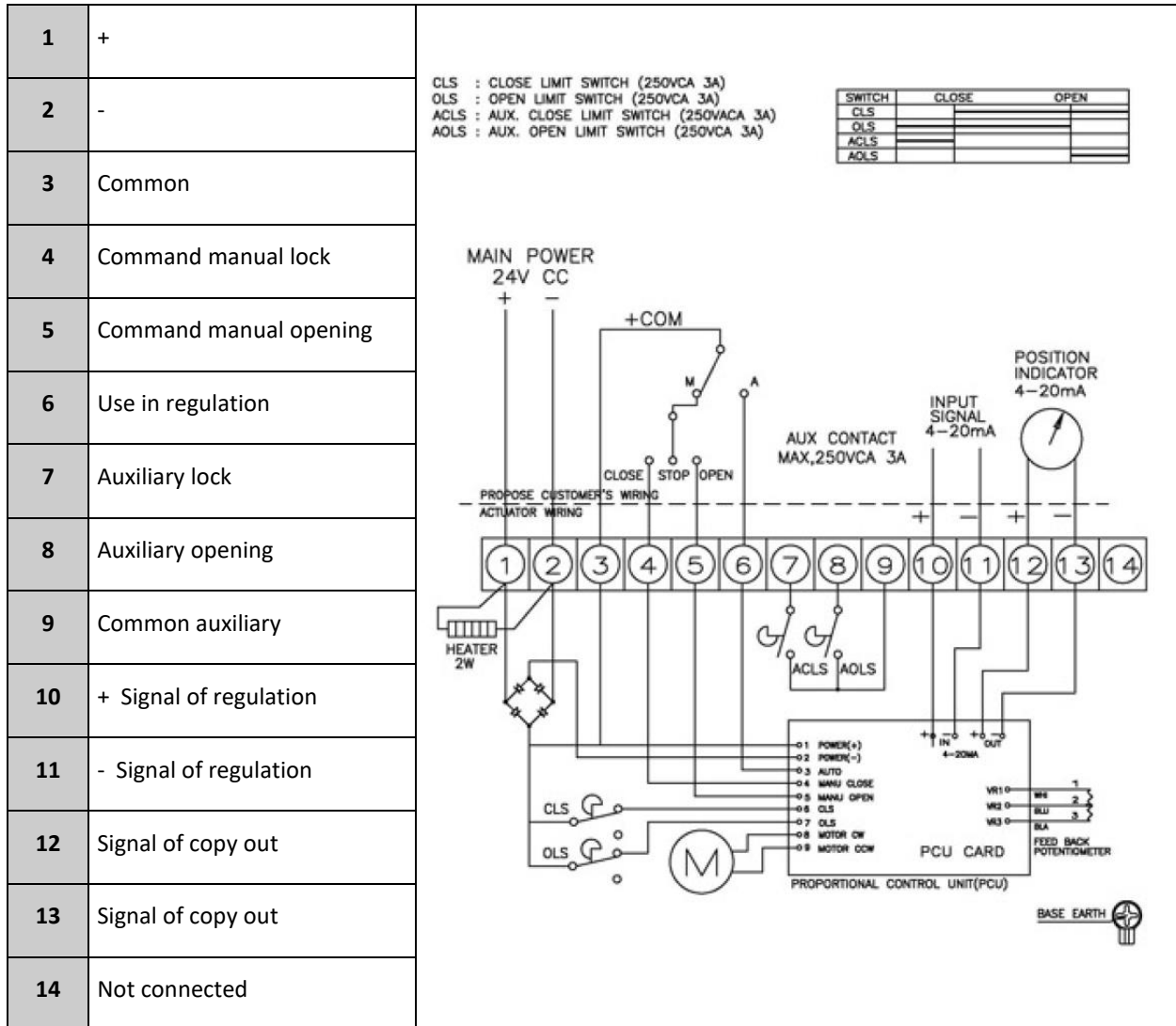


SECTORIEL S.A.
 45, rue du Ruisseau
 38290 SAINT QUENTIN-FALLAVIER – FRANCE
 Tél : +33 4 74 94 90 70 - Fax : +33 4 74 94 13 95
www.sectoriel.fr / Email : sectoriel@sectoriel.fr

| | |
|-------|-------------|
| Pages | 3/5 |
| Ref. | FT23050 ENG |
| Rev. | 06 |
| Date | 05/2019 |

ELECTRIC ACTUATOR SA 05 + PCU

WIRING DIAGRAM 24V CA/CC



Modifications reserved



SECTORIEL S.A.
 45, rue du Ruisseau
 38290 SAINT QUENTIN-FALLAVIER – FRANCE
 Tél : +33 4 74 94 90 70 - Fax : +33 4 74 94 13 95
www.sectoriel.fr / Email : sectoriel@sectoriel.fr

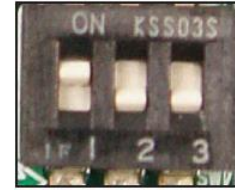
| | |
|-------|-------------|
| Pages | 4/5 |
| Ref. | FT23050 ENG |
| Rev. | 06 |
| Date | 05/2019 |

ELECTRIC ACTUATOR SA 05 + PCU

PCU BOARD SPECIFICATION

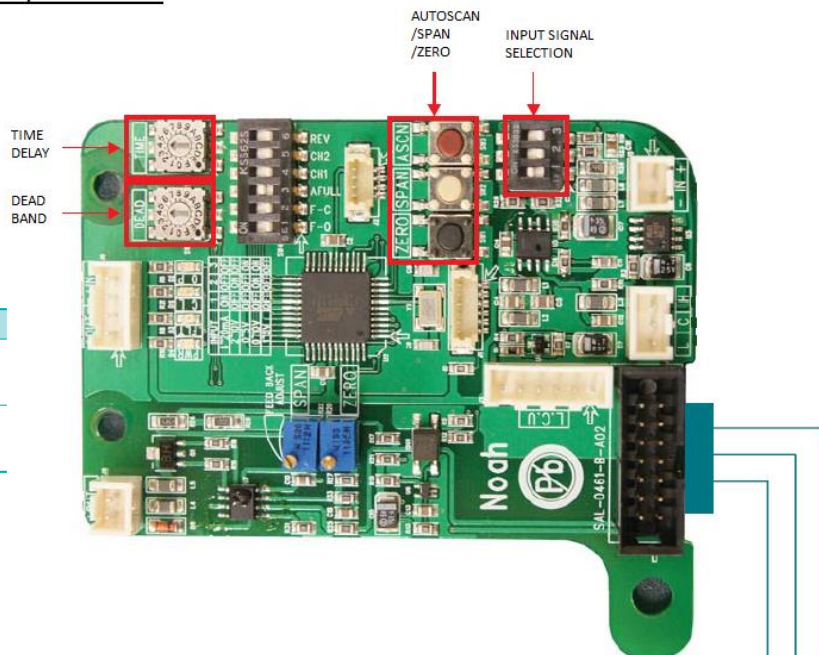


| Name | Spec. |
|------|---|
| ZERO | Close manual control button / Input module button |
| SPAN | Open manual control button / Input module button |
| ASCN | AUTO SCAN BUTTON (ACTUATOR automatic control button) delivered from the factory the resistance value of potentiometer may can be changed if the user modifies its limit setting. Please make sure to press the autoscan button for at least 2 seconds before operating proportional control. |



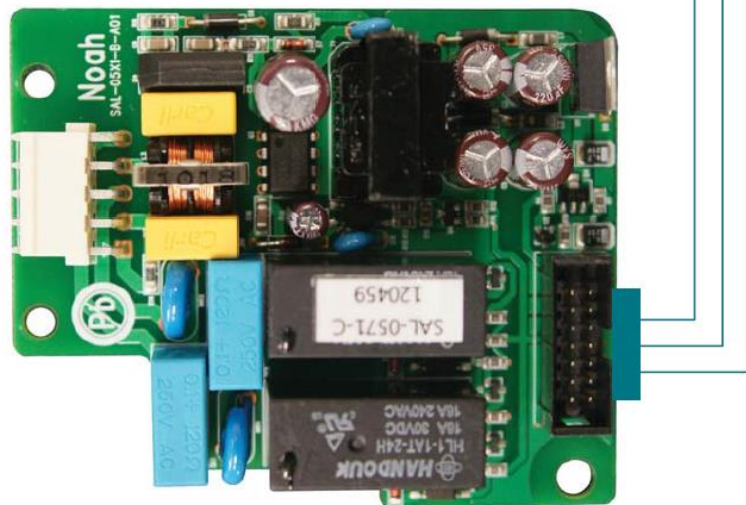
| INPUT | S/W | 1 | 2 | 3 |
|---------|-----|-----|-----|-----|
| 4-20mA | | ON | OFF | OFF |
| 2 - 10V | | OFF | ON | OFF |
| 0 - 5V | | OFF | OFF | ON |
| 0 - 10V | | OFF | ON | ON |
| 1 - 5V | | OFF | OFF | OFF |

PCU Board specification



| Name | Spec. |
|------------|--------------------------------------|
| DEAD BAND | Mechanical steps at least (0,2ma) |
| TIME DELAY | Modulating starting time (1sec) |

PCU Board



Modifications reserved



SECTORIEL S.A.
45, rue du Ruisseau
38290 SAINT QUENTIN-FALLAVIER – FRANCE
Tél : +33 4 74 94 90 70 - Fax : +33 4 74 94 13 95
www.sectoriel.fr / Email : sectoriel@sectoriel.fr

| | |
|-------|-------------|
| Pages | 5/5 |
| Ref. | FT23050 ENG |
| Rev. | 06 |
| Date | 05/2019 |