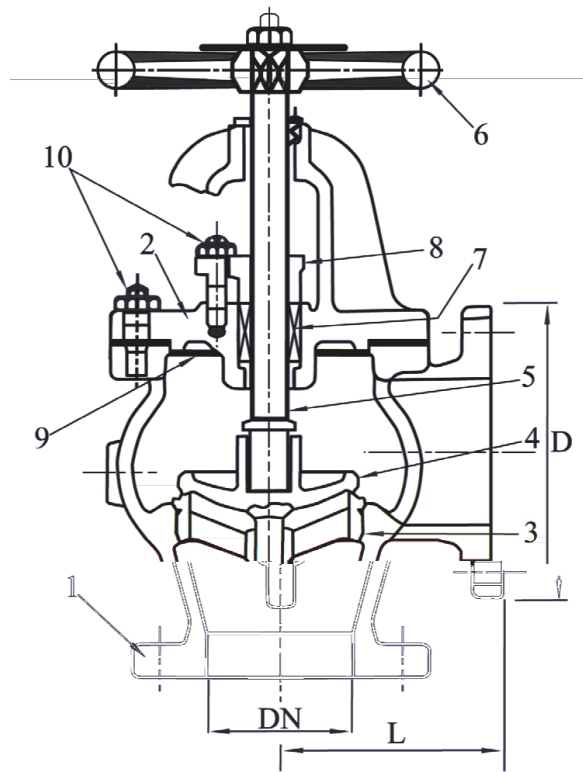




Stop Valve JIS 10K Flange Angle GG25

Model/Ref: F-7308-F-7376

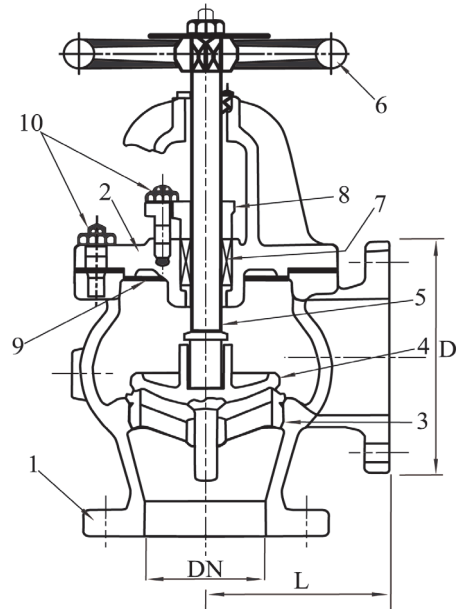


*Partnership.
Without Limits.*

www.lauridsenindustri.com

Stop Valve JIS 10K Flange Angle GG25

No	Part	Material
1	Body	Cast iron GG25
2	Bonnet	Cast iron GG25
3	Seat ring	Bronze Rg5
4	Disc	Bronze Rg5
5	Stem	Special brass
6	Handwheel	Cast iron
7	Glandpacking	Graphite
8	Gland	Bronze Rg5
9	Gasket	Graphite
10	Bolt/Nut	Brass / Rolled steel
11		
12		
13		
14		
15		


Variants:

S.D.N.R. = Non-return disc F-7376
 Stainless steel trim

Other dimensions/materials on request

DN	D	n	Hcd	d	L	Max working-pressure		Weight Kg
						Kg/cm ² 120 °C	Kg/cm ² 205 °C	
50	155	4	120	19	120	14 bar	10 bar	18,2
65	175	4	140	19	130	14 bar	10 bar	25,4
80	185	8	150	19	140	14 bar	10 bar	27,4
100	210	8	175	19	160	14 bar	10 bar	40,6
125	250	8	210	23	180	14 bar	10 bar	69,9
150	280	8	240	23	205	14 bar	10 bar	81,0
200	330	12	290	23	230	14 bar	10 bar	125,0
250	400	12	355	25	290	14 bar	10 bar	211,0
300	445	16	400	25	320	14 bar	10 bar	293,0