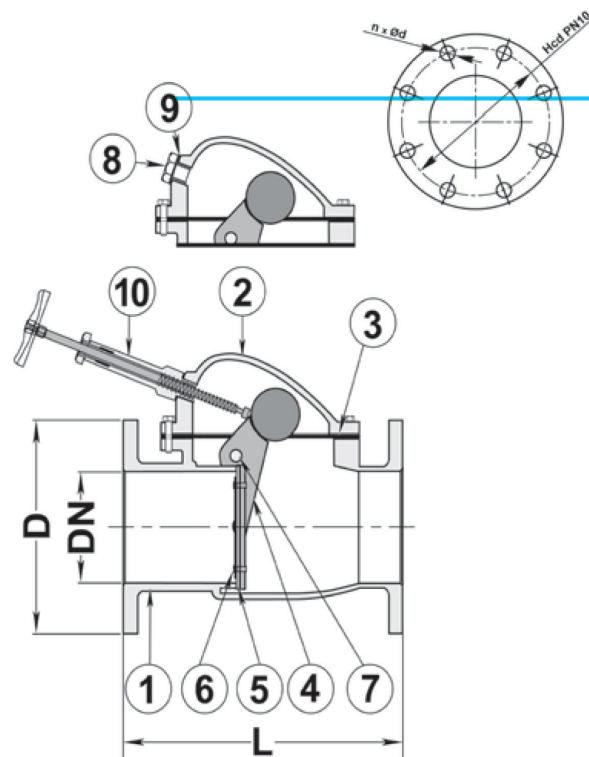




**Storm Flap Valve PN 4  
Flange Straight Bronze**

Model/Ref: 159721

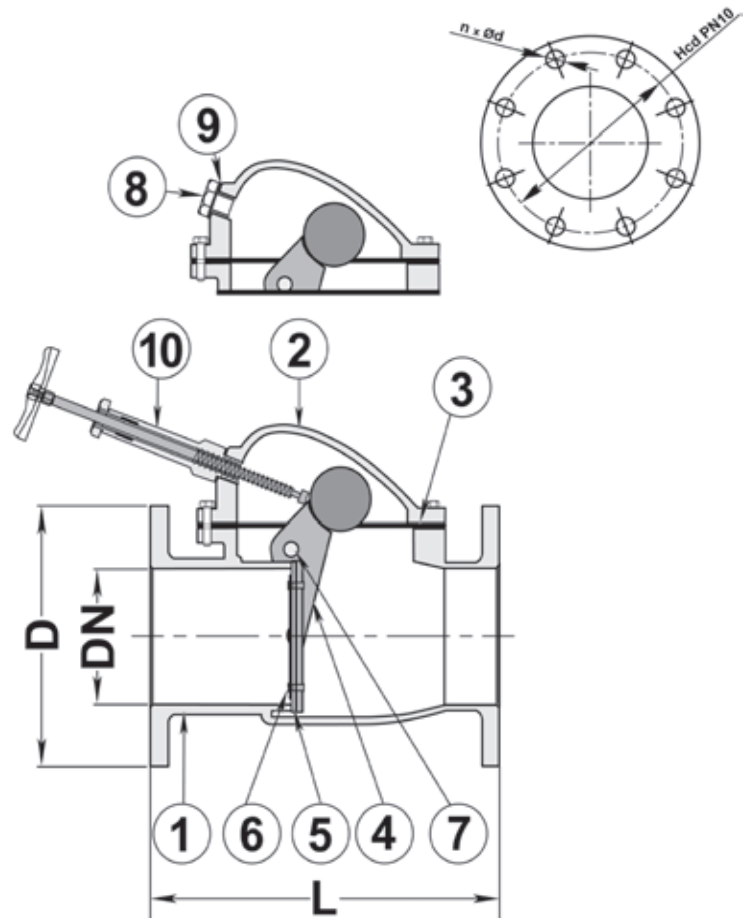


*Partnership.  
Without Limits.*

[www.lauridsenindustri.com](http://www.lauridsenindustri.com)

**Storm Flap Valve PN 4 Flange Straight Bronze**

| No | Part            | Material      |
|----|-----------------|---------------|
| 1  | Body            | Bronze Rg5    |
| 2  | Bonnet          | Bronze Rg5    |
| 3  | Gasket          | Nitril (NBR)  |
| 4  | Flap            | Bronze Rg5    |
| 5  | Seal            | Nitril (NBR)  |
| 6  | Rivet           | Copper        |
| 7  | Shaft           | Special brass |
| 8  | Plug            | Special brass |
| 9  | Washer          | Copper        |
| 10 | Closing devices | Special brass |



Flanges drilled according to PN10.

**Variants:**

Material Bronze Rg10

Other dimensions/materials on request

| DN  | D   | Hcd | ØAxn | L   | Max working-pressure |       | Weight Kg |
|-----|-----|-----|------|-----|----------------------|-------|-----------|
|     |     |     |      |     | Mpa                  | 80 °C |           |
| 40  | 150 | 110 | 4x18 | 180 | 0,4                  |       | 12,0      |
| 50  | 165 | 125 | 4x18 | 200 | 0,4                  |       | 16,0      |
| 65  | 185 | 145 | 4x18 | 240 | 0,4                  |       | 18,0      |
| 80  | 200 | 160 | 8x18 | 260 | 0,4                  |       | 26,0      |
| 100 | 220 | 180 | 8x18 | 300 | 0,4                  |       | 33,0      |
| 125 | 250 | 210 | 8x18 | 350 | 0,4                  |       | 44,0      |
| 150 | 285 | 240 | 8x22 | 400 | 0,4                  |       | 66,0      |
| 200 | 300 | 295 | 8x22 | 500 | 0,4                  |       | 111,0     |