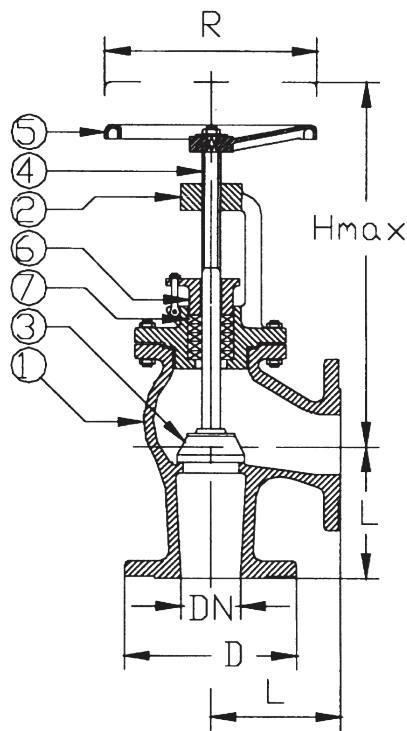




Stop Valve PN 16 Flange Angle SS316

Model/Ref: 467192

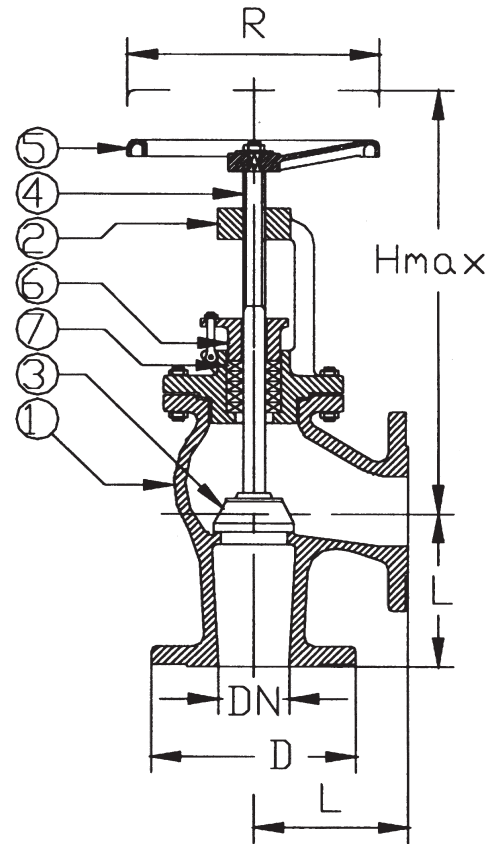


*Partnership.
Without Limits.*

www.lauridsenindustri.com

Stop Valve PN 16 Flange Angle SS316

No	Part	Material
1	Body	Stainless steel 1.4408
2	Bonnet	Stainless steel 1.4408
3	Disc	Stainless steel 1.4408
4	Stem	Stainless steel 1.4436
5	Handwheel	Cast iron
6	Gland	Stainless steel 1.4408
7	Glandpacking	PTFE


Variants:

S.D.N.R. = Non-return disc

R = Parabolic disc

PTFE-sealing

Various actuators

Other dimensions/materials on request

DN	D	n x Ød	Hcd	L	Hmax	Max working-pressure		Weight Kg
						Mpa 20 °C	Mpa 225 °C	
15	95	4x14	65	90	140	1,6	1,1	2,5
20	105	4x14	75	95	140	1,6	1,1	3,0
25	115	4x14	85	100	150	1,6	1,1	4,0
32	140	4x18	100	105	259	1,6	1,1	9,0
40	150	4x18	110	115	275	1,6	1,1	12,0
50	165	4x18	125	125	293	1,6	1,1	16,0
65	185	4x18	145	145	356	1,6	1,1	22,0
80	200	8x18	160	155	390	1,6	1,1	27,0
100	220	8x18	180	175	452	1,6	1,1	44,0
125	250	8x18	210	200	522	1,6	1,1	70,0
150	285	8x22	240	225	578	1,6	1,1	93,0
200	340	8x22	295	275	683	1,6	1,1	178,0
250	495	12x26	355	325	757	1,6	1,1	275,0