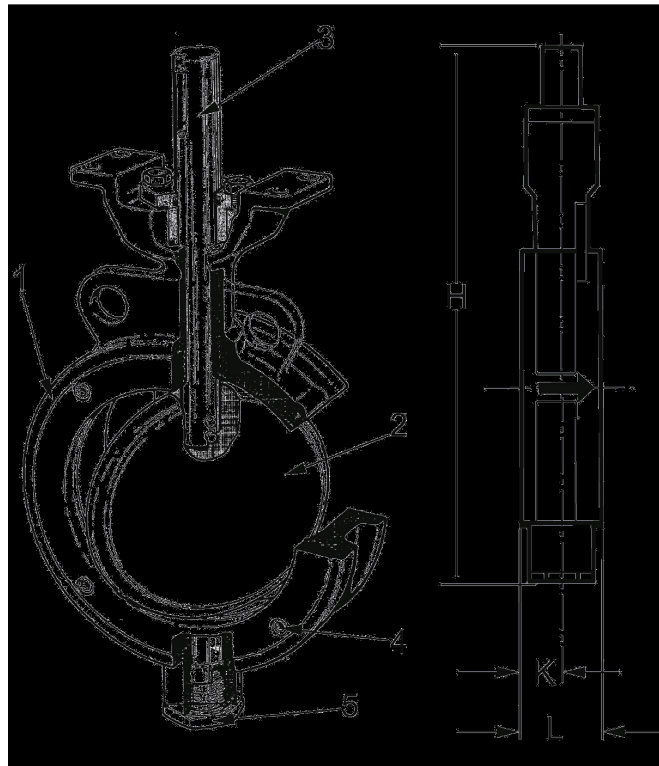




Butterfly PN 10/40 Wafer Straight CF8M

Model/Ref: 762994

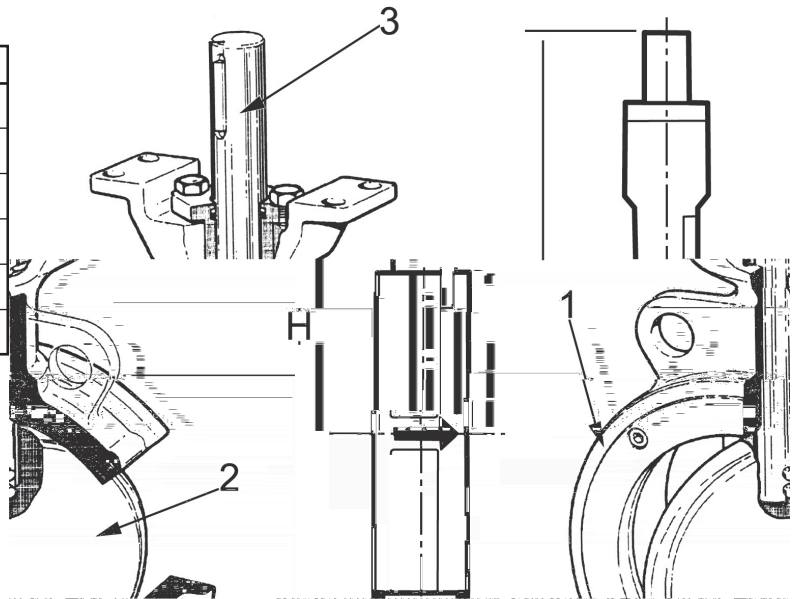


*Partnership.
Without Limits.*

www.lauridsenindustri.com

Butterfly PN 10/40 Wafer Straight CF8M

No	Part	Material
1	Body	ASTM A351 CF8M
2	Disc	Stainless steel SS2324
3	Stem	Stainless steel SS2324
		Hard chromium plated
4	Screw	Stainless steel
5	Retaining screw	Stainless steel SS2324


Variants:

Metal seat

PTFE seat

Viton or EPDM seat

Lugg Type

Other dimensions/materials on request

DN	K	L	H	Max working pressure		Weight Kg
				Mpa		
80	23	46	45	305	25 bar	5,0
100	26	52	45	348	25 bar	7,0
125	28	56	45	369	25 bar	7,0
150	28	56	45	396	25 bar	11,0
200	29	60	45	474	25 bar	20,0
250	31	68	65	548	25 bar	29,0
300	34	78	65	634	25 bar	44,0
350	33	78	65	698	25 bar	63,0
400	43	102	82	783	25 bar	94,0
500	55	127	120	952	25 bar	140,0