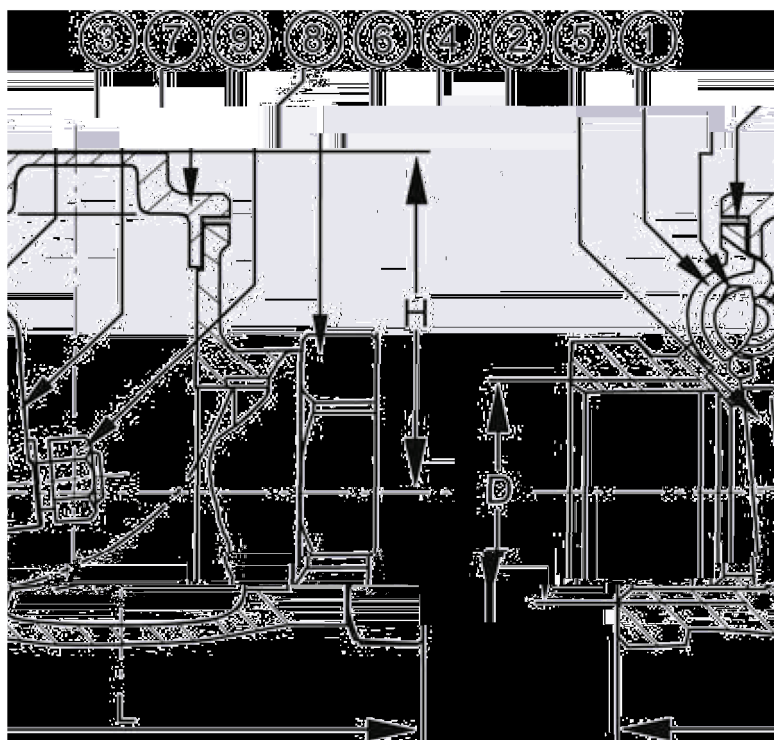




**Swing Check Valve PN 16
Flange Straight SS316**

Model/Ref: 3042921

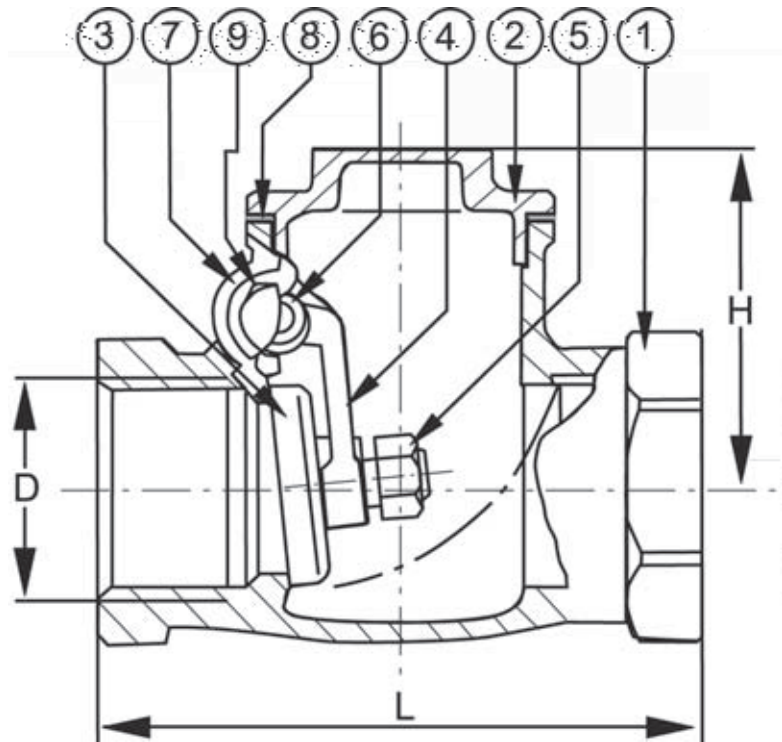


*Partnership.
Without Limits.*

www.lauridsenindustri.com

Swing Check Valve PN 16 Flange Straight SS316

No	Part	Material
1	Body	Stainless Steel SS316
2	Cap	Stainless Steel SS316
3	Disc	Stainless Steel SS316
4	Hinge	Stainless Steel SS316
5	Nut	Stainless Steel SS316
6	Hinge pin	Stainless Steel SS304
7	Washer	PTFE
8	Gasket	PTFE
9	Bolt	Stainless Steel SS304


Variants:

Other dimensions/materials on request

DN	D	L	H	Max working-pressure		Weight Kg
				Mpa 100 °C	Mpa 200 °C	
15	G 1/2"	60	42	1,6	1,15	0,3
20	G 3/4"	78	46	1,6	1,15	0,5
25	G 1"	84	49	1,6	1,15	0,6
32	G 1 1/4"	94	54	1,6	1,15	0,8
40	G 1 1/2"	104	59	1,6	1,15	1,1
50	G 2"	122	67	1,6	1,15	1,6