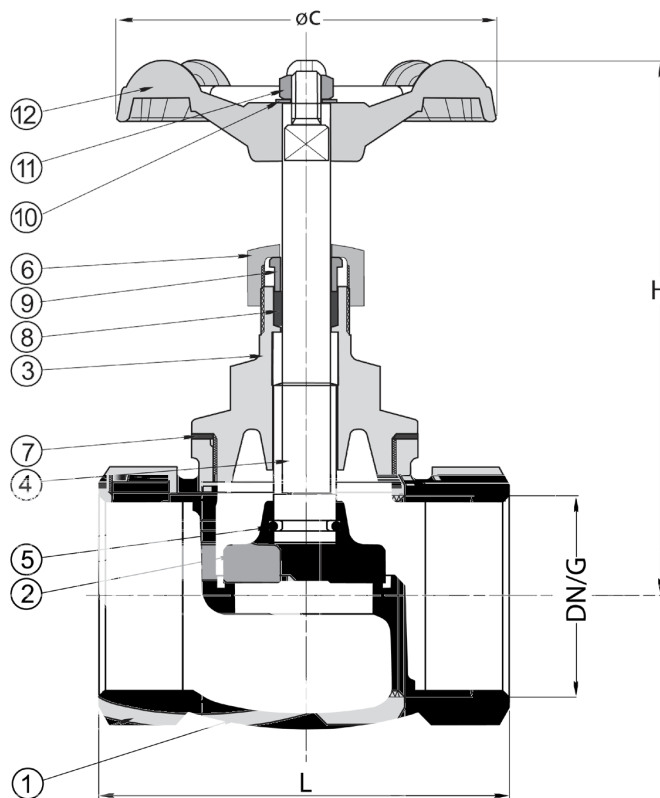




Stop Valve Threaded Straight Bronze

Model/Ref: 456022-BO

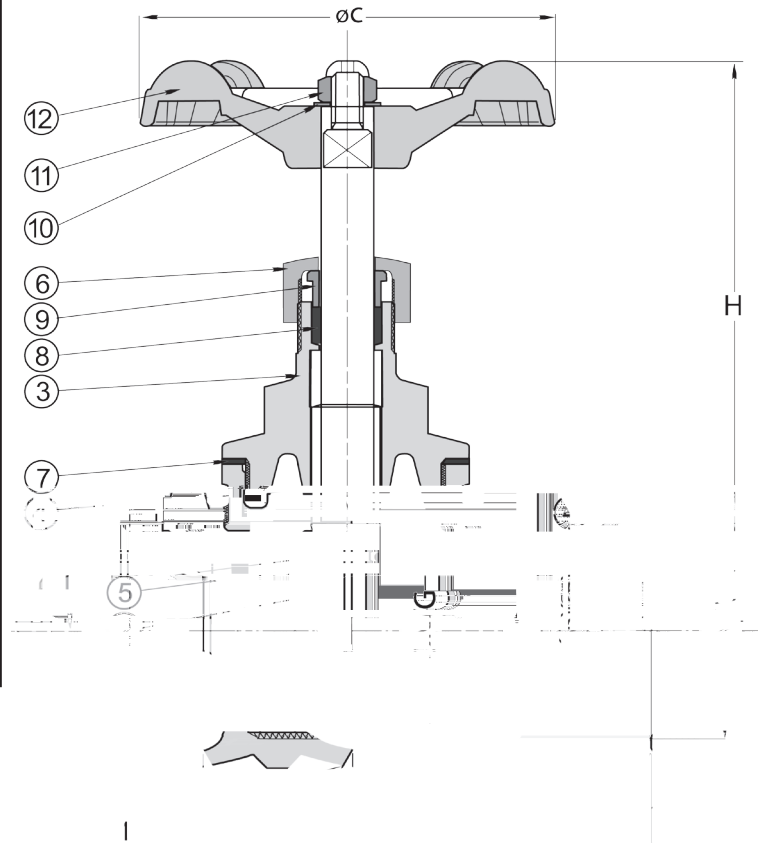


*Partnership.
Without Limits.*

www.lauridsenindustri.com

Stop Valve Threaded Straight Bronze

| No | Part | Material |
|----|------------------|-----------------|
| 1 | Body | Bronze Rg5 |
| 2 | Disc | Special brass |
| 3 | Bonnet | Special brass |
| 4 | Lock nut | Special brass |
| 5 | Fixing Ring | Stainless steel |
| 6 | Gland Nut | Special brass |
| 7 | Body Gasket | PTFE |
| 8 | Packing | Graphite |
| 9 | Gland | Special brass |
| 10 | Handwheel washer | Brass |
| 11 | Handwheel Nut | Brass |
| 12 | Handwheel | Aluminium |
| 13 | | |
| 14 | | |
| 15 | | |


Variants:

S.D.N.R. = Non-return disc

PTFE-sealing

Other dimensions/materials on request

| DN | G | L | C | H | Max working-pressure | | Weight Kg |
|----|--------|-----|-----|-----|----------------------|-----|-----------|
| | | | | | Mpa 120 °C | Mpa | |
| 8 | 1/4" | 50 | 50 | 95 | 1,6 | | 0,30 |
| 10 | 3/8" | 50 | 50 | 95 | 1,6 | | 0,30 |
| 15 | 1/2" | 60 | 50 | 95 | 1,6 | | 0,42 |
| 20 | 3/4" | 70 | 55 | 110 | 1,6 | | 0,57 |
| 25 | 1" | 80 | 70 | 120 | 1,6 | | 0,92 |
| 32 | 1 1/4" | 95 | 80 | 145 | 1,6 | | 1,30 |
| 40 | 1 1/2" | 105 | 80 | 155 | 1,6 | | 1,65 |
| 50 | 2" | 130 | 110 | 185 | 1,6 | | 2,90 |
| 65 | 2 1/2" | 155 | 130 | 245 | 1,6 | | 5,90 |
| 80 | 3" | 180 | 150 | 280 | 1,6 | | 7,30 |