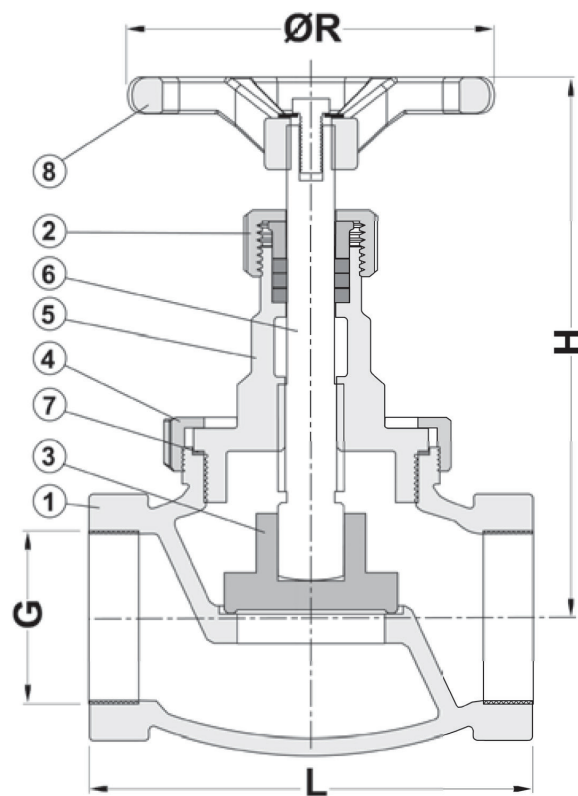




Stop Valve Threaded Straight Bronze

Model/Ref: 456022

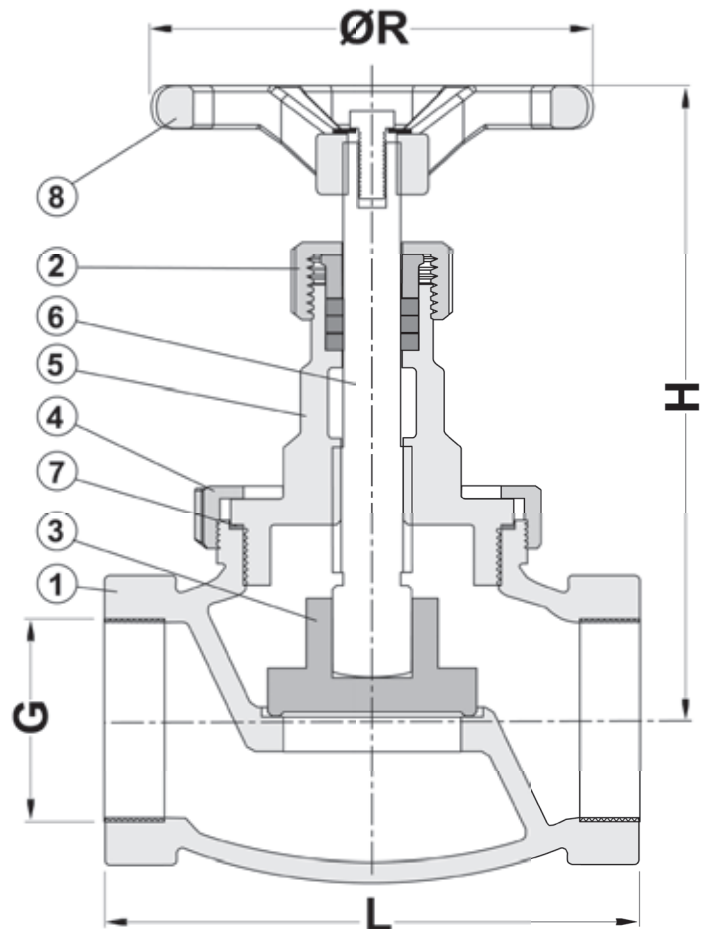


*Partnership.
Without Limits.*

www.lauridsenindustri.com

Stop Valve Threaded Straight Bronze

No	Part	Material
1	Body	Bronze Rg5
2	Gland nut	Bronze Rg5
3	Disc	Bronze Rg5
4	Lock nut	Bronze Rg5
5	Bonnet	Bronze Rg5
6	Stem	CuZn35NiF45 (Som59)
7	Bonnet Gasket	PTFE
8	Handwheel	EN-GJL250 (GG25)


Variants:

S.D.N.R. = Non-return disc

R = Parabolic disc

PTFE-sealing

Other dimensions/materials on request

DN	G	L	H	R	Max working-pressure		Weight Kg
					Mpa 120 °C	Mpa 200 °C	
10	3/8"	60	95	63	1,6	2,0	1,4
15	1/2"	65	95	63	1,6	2,0	1,5
20	3/4"	75	110	80	1,6	2,0	2,3
25	1"	90	115	80	1,6	2,0	2,7
32	1 1/4"	105	134	90	1,6	2,0	4,5
40	1 1/2"	120	145	100	1,6	2,0	6,5
50	2"	145	165	125	1,6	2,0	8,0
65	2 1/2"	170	230	160	1,6	2,0	11,5
80	3"	200	250	200	1,6	2,0	16
100	4"	220	275	200	1,6	2,0	21