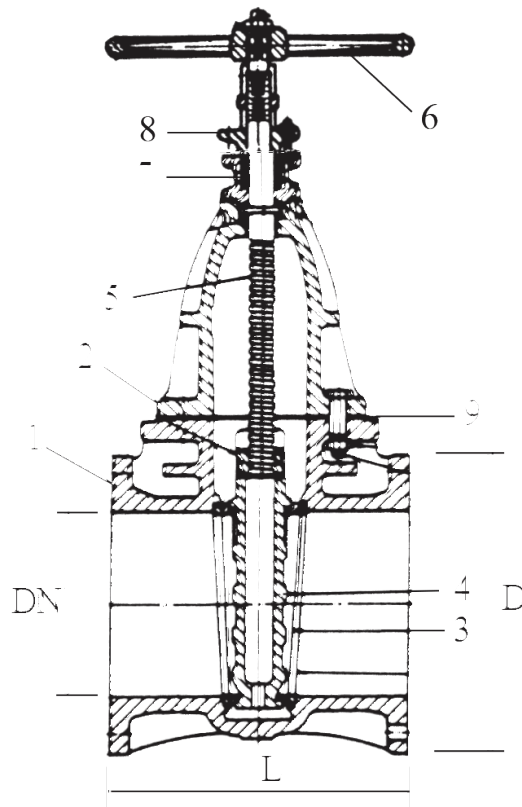




Gate Valve JIS 5K Flange Straight GG25

Model/Ref: F-7363

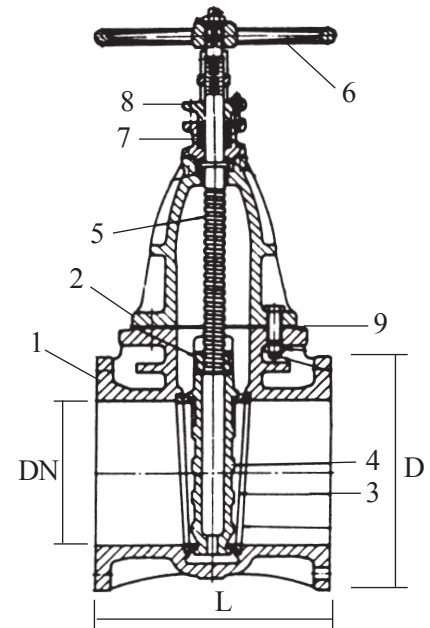


*Partnership.
Without Limits.*

www.lauridsenindustri.com

Gate Valve JIS 5K Flange Straight GG25

No	Part	Material
1	Body	Cast iron GG25
2	Bonnet	Cast iron GG25
3	Seat ring	Bronze Rg5
4	Disc	Bronze Rg5
5	Stem	Special brass
6	Handwheel	Cast iron
7	Glandpacking	Graphite
8	Gland	Bronze Rg5
9	Gasket	Graphite
10		
11		
12		
13		
14		
15		



Variants:

Stainless steel trim

Other dimensions/materials on request

DN	D	n	Hcd	d	L	Max working-pressure		Weight Kg
						Kg/cm ² 120 °C	Kg/cm ² 205 °C	
50	130	4	105	15	180	7 bar	5 bar	12,0
65	155	4	130	15	190	7 bar	5 bar	17,0
80	180	4	145	19	200	7 bar	5 bar	20,0
100	200	8	165	19	230	7 bar	5 bar	25,0
125	235	8	200	19	250	7 bar	5 bar	39,0
150	265	8	230	19	270	7 bar	5 bar	49,0
200	320	8	280	23	290	7 bar	5 bar	76,0
250	385	12	345	23	330	7 bar	5 bar	116,0
300	430	12	390	23	370	7 bar	5 bar	156,0
350	480	12	435	25	410	7 bar	5 bar	210,0
400	540	16	495	25	470	7 bar	5 bar	265,0