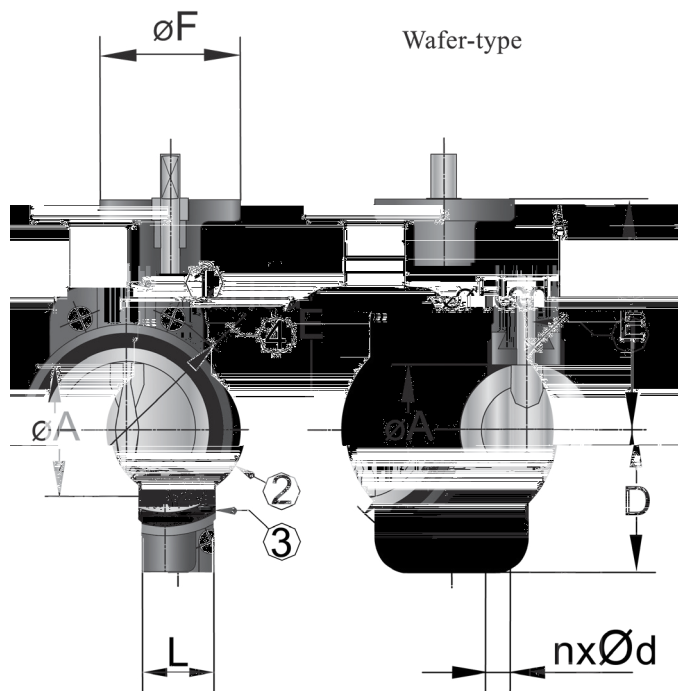




Butterfly PN 16/10 Wafer Straight GG25

Model/Ref: 700752_701752

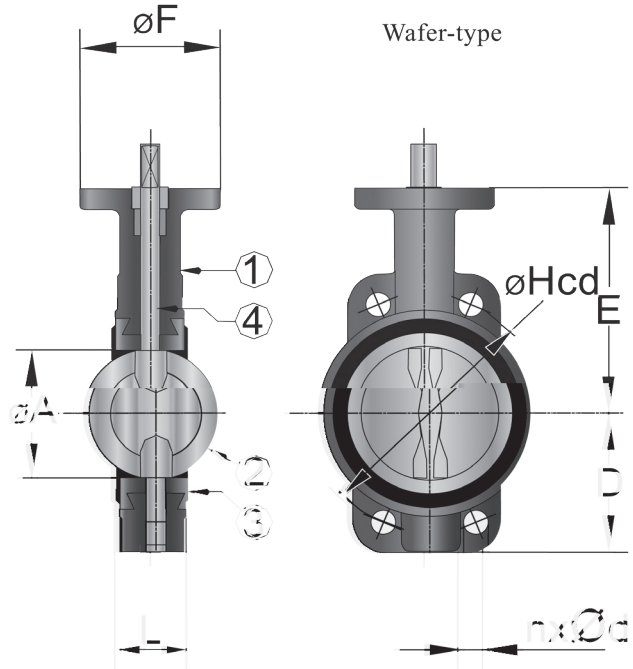


*Partnership.
Without Limits.*

www.lauridsenindustri.com

Butterfly PN 16/10 Wafer Straight GG25

No	Part	Material
1	Body	Cast iron GG25
2	Disc	Aluminium bronze
3	Seal (700752)	Nitril (NBR)
	Seal (701752)	EPDM
4	Stem	Stainless steel SS316


Variants:

With handlever
 Various actuators and gearboxes
 Viton- and Teflon-seal
 DN 200-600 available to fit PN16
 available to fit PN6
 Other dimensions/materials on request

DN	F	nxØd	Hcd	L	D	E	Max working pressure Mpa		Weight Kg
							NBR 80 °C	EPDM 110 °C	
40	90	4 x 18	110	33	59	110	1,6	1,6	2,7
50	90	4 x 18	125	42	83	130	1,6	1,6	2,9
65	90	4 x 18	145	45	95	140	1,6	1,6	4,1
80	90	4 x 18	160	45	102	145	1,6	1,6	4,4
100	90	4 x 18	180	52	124	160	1,6	1,6	5,6
125	90	4 x 18	210	54	137	170	1,6	1,6	7,1
150	90	4 x 22	240	55	149	190	1,6	1,6	8,4
700751/701751 PN10									
200	90	4 x 22	295	60,5	181	220	1,0	1,0	20,0
250	125	4 x 23	350	65	210	260	1,0	1,0	29,0
300	125	4 x 23	400	76	248	290	1,0	1,0	34,0
350	125	4 x 23	460	78	279	320	1,0	1,0	42,0
400	175	4 x 28	515	102	305	350	1,0	1,0	62,0
450	210	4 x 28	565	114	365	380	1,0	1,0	74,0
500	210	4 x M24	620	127	371	420	1,0	1,0	111,0
600	210	4 x M27	725	154	455	520	1,0	1,0	210,0