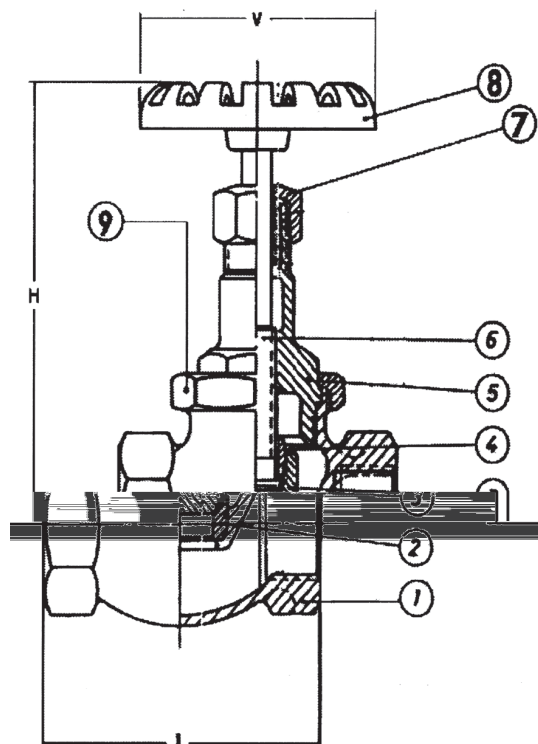




Stop Valve Threaded Straight Bronze

Model/Ref: 335023

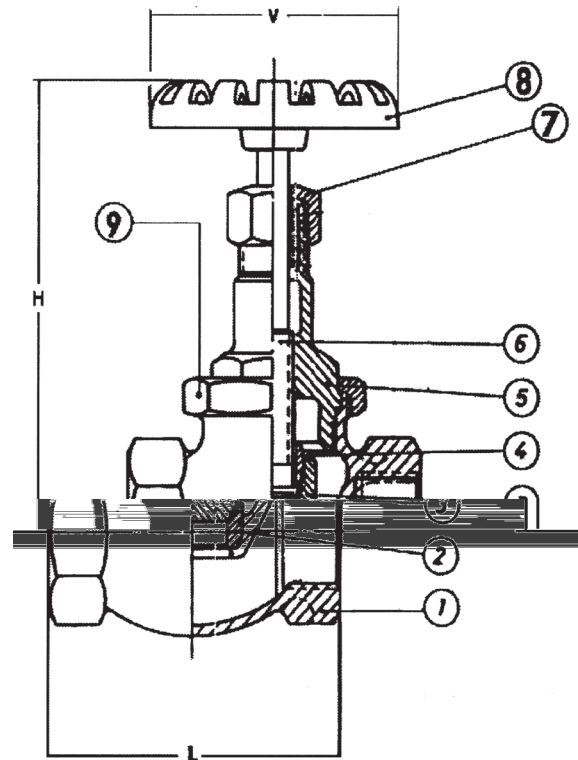


*Partnership.
Without Limits.*

www.lauridsenindustri.com

Stop Valve Threaded Straight Bronze

No	Part	Material
1	Body	Bronze Rg5
2	Seat	Bronze Rg5
3	Disc	Bronze Rg5
4	Lock nut	Bronze Rg5
5	Bonnet	Bronze Rg5
6	Stem	Cu Al 10 Ni
7	Packing nut	Bronze Rg5
8	Handwheel	Stainless Steel SS316
9	Security nut	Bronze Rg5
10		


Variants:

S.D.N.R. = Non-return disc

R = Parabolic disc

PTFE-sealing

Other dimensions/materials on request

DN	D	L	Hmax	Max working-pressure		Weight Kg
				Mpa 100 °C	Mpa 225 °C	
15	1/2"	67	111	3,0	2,0	0,6
20	3/4"	80	123	3,0	2,0	0,9
25	1"	95	141	3,0	2,0	1,3
32	1 1/4"	112	160	3,0	2,0	2,1
40	1 1/2"	132	163	3,0	2,0	2,9
50	2"	160	206	3,0	2,0	4,7