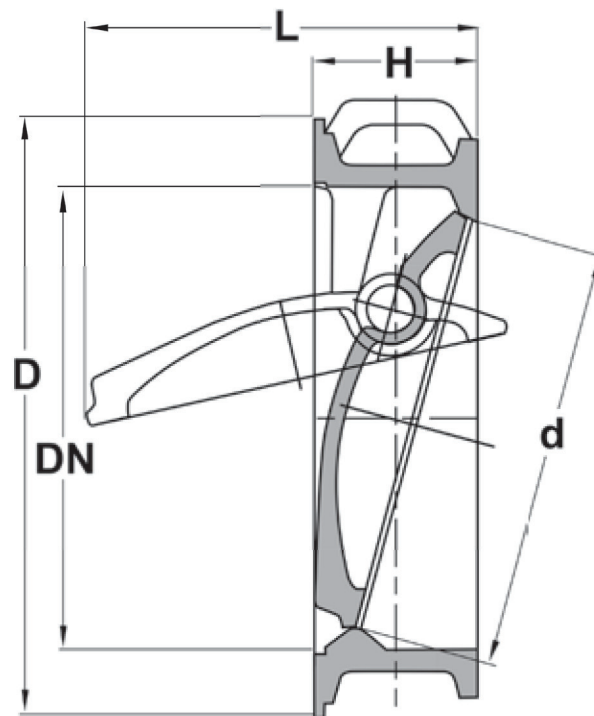




**Tilting Disc Check Valve PN 16
Wafer Straight AISI 316**

Model/Ref: 305492

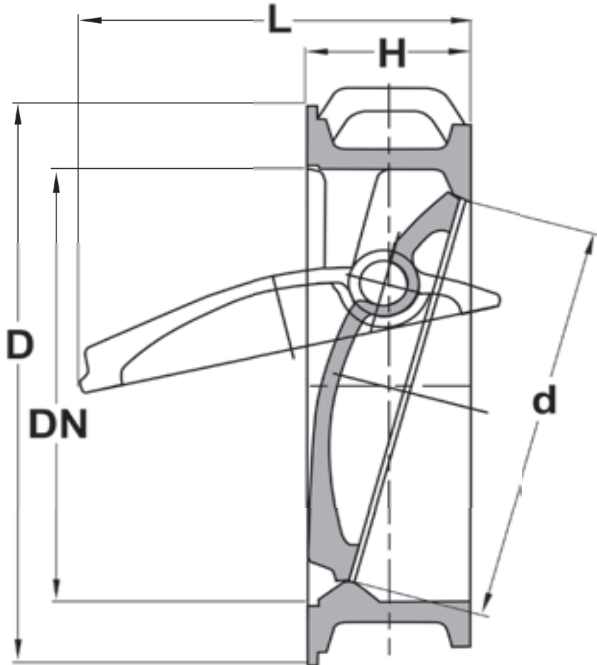


*Partnership.
Without Limits.*

www.lauridsenindustri.com

Tilting Disc Check Valve PN 16 Wafer Straight AISI 316

No	Part	Material
1	Body	AISI 316
2	Stem	AISI 316
3	Disc	AISI 316



Variants:
 With spring
 with counterweight
 Other dimensions/materials on request

DN	d	D	H	L	Weight kg
50	44	107	43	57	1,7
65	58	127	46	67	1,7
80	72	142	64	87	3
100	90	162	64	100	5
125	112	194	70	117	7
150	135	219	76	135	9
200	180	273	89	178	16
250	225	329	114	220	28
300	270	384	114	262	41
350	315	444	127	303	48
400	365	496	140	355	65
450	420	556	152	390	94
500	460	618	152	440	115
600	555	735	178	530	192
700	650	805	229	610	270
800	740	912	241	705	402
900	835	1012	300	795	782

