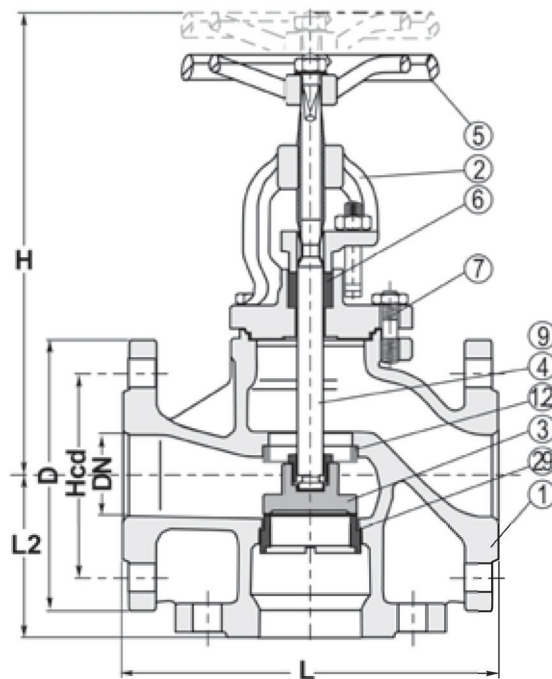




**Change Over Valve
PN 16 Flange 3-Way GG25**

Model/Ref: 402252

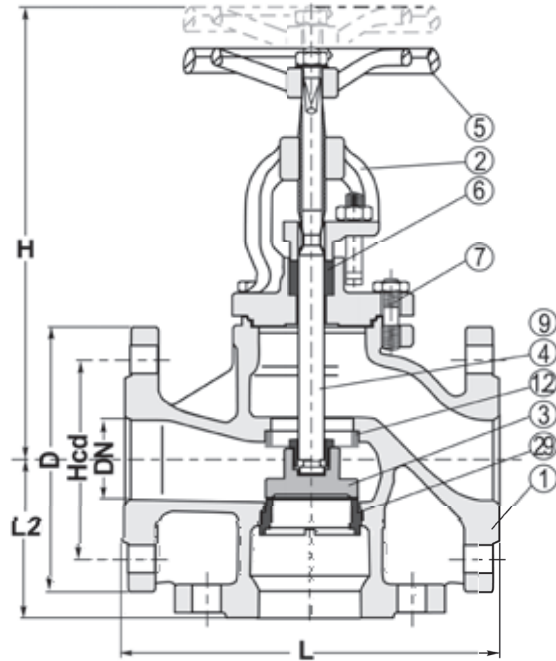
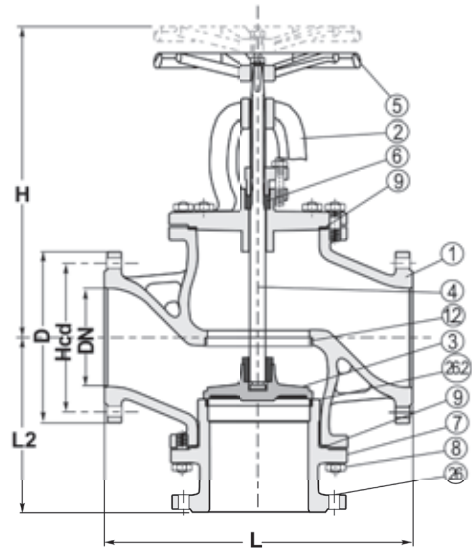


*Partnership.
Without Limits.*

www.lauridsenindustri.com

Change Over Valve PN 16 Flange 3-Way GG25

No	Part	Material
1		- -
2		- -
1.2		,
3	*	,
4	*	,
5		- -
6	*	
7		-
7		,
8		-
9	*	,
6		- , ,
26.2		- ,
29		- ,


DN 150-150
DN 200-250

Variants

DN	D	Hcd	H	L	L2	Max working-pressure		Weight Kg
						Mpa 120 °C	Mpa 200 °C	
15						,	,	,
20						,	,	,
25						,	,	,
32						,	,	,
40						,	,	,
50						,	,	,
65						,	,	,
80						,	,	,
100						,	,	,
125						,	,	,
150						,	,	,
200						,	,	,
250						,	,	,