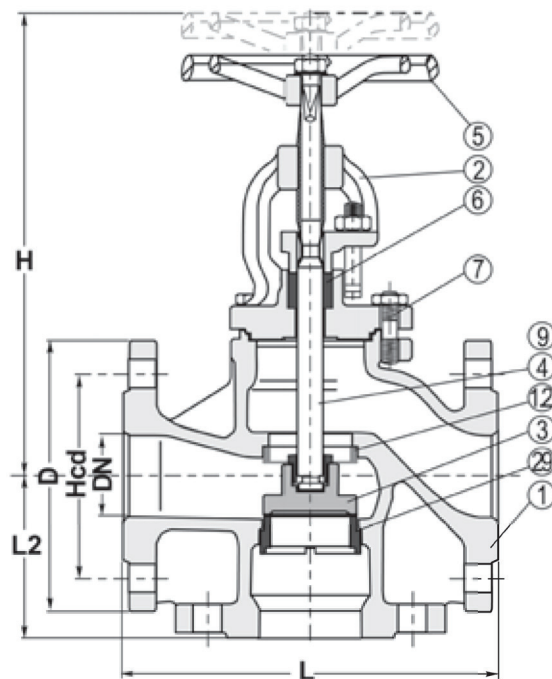




**Change Over Valve  
PN 40 Flange 3-Way GSC25**

Model/Ref: 402264

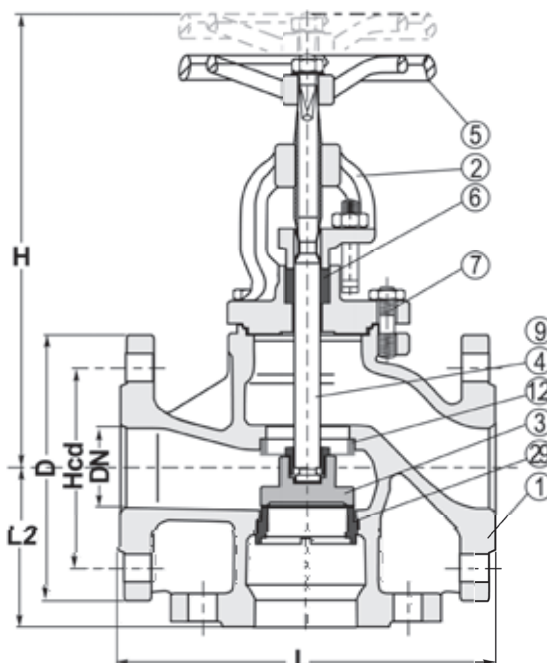
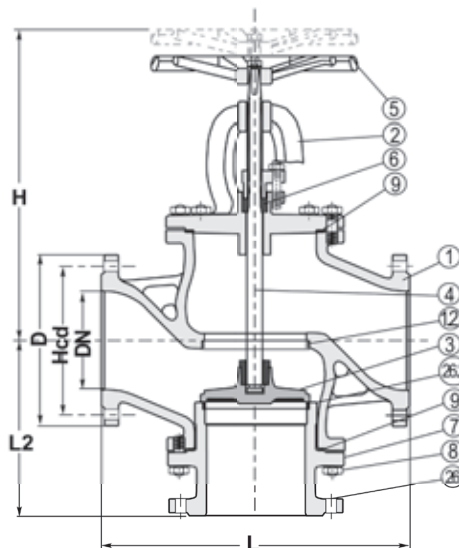


*Partnership.  
Without Limits.*

[www.lauridsenindustri.com](http://www.lauridsenindustri.com)

## Change Over Valve PN 40 Flange 3-Way GSC25

No	Part	Material
1	Body	GP240GH, 1.0619
2	Bonnet	GP240GH, 1.0619
1.2	Seat ring Disc	DN<50:X20Cr13, 1.4021/ DN>50:G199Nb Si, 1.4551
3	Disc*	X20Cr13, 1.4021
4	Stem*	X20Cr13, 1.4021
5	Handwheel	EN-GJL-250
6	Packing ring*	Graphite
7	Stud	25CrMo4, 1.7218
8	Hexagon nut	C35E, 1.1181
9	Gasket*	Graphit
10	Insert nuts	11SMn30, 1.0715
26	Connecting piece	DN200-250: GP240GH, 1.0619
26.2	Seat ring	DN200-250: X20Cr13, 1.4021
29	Seat ring	DN15-150: X20Cr13, 1.4021


**DN 150-150**
**DN 200-250**

**Variants:**

Other dimensions/materials on request

DN	D	Hcd	H	L	L2	Max working-pressure		Weight Kg
						Mpa 120 °C	Mpa 200 °C	
15	95	65x4x14	229	130	65	4,0	2,4	6,1
20	105	75x4x14	229	150	70	4,0	2,4	7,4
25	115	85x4x14	240	160	75	4,0	2,4	8,5
32	140	100x4x18	242	180	80	4,0	2,4	11,8
40	150	110x4x18	283	200	90	4,0	2,4	15,8
50	165	125x4x18	277	230	100	4,0	2,4	19,4
65	185	145x8x18	350	290	120	4,0	2,4	28,2
80	200	160x8x18	371	310	130	4,0	2,4	39,8
100	235	190x8x22	430	350	150	4,0	2,4	58,1
125	270	220x8x26	508	400	200	4,0	2,4	90,6
150	300	250x8x26	578	480	210	4,0	2,4	133,5
200	375	320x12x30	636	600	350	4,0	2,4	177,0
250	450	385x12x33	736	730	440	4,0	2,4	338,0