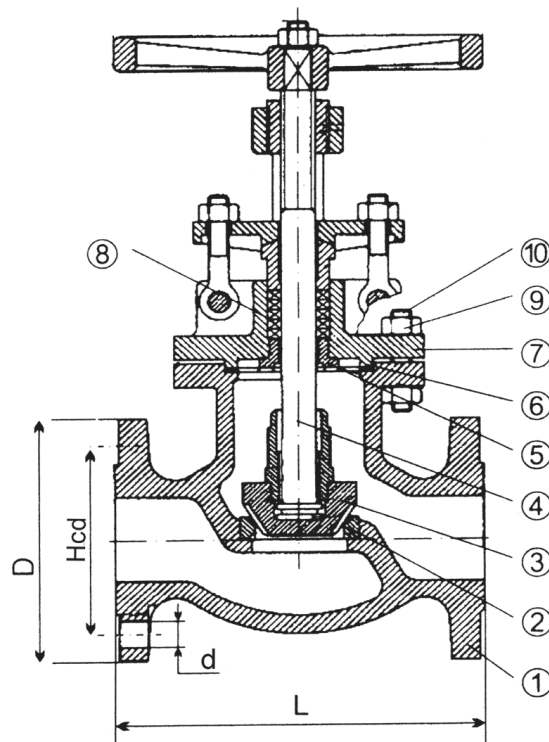




Globe Valve ANSI 150 Flange Straight WCB

Model/Ref: 467067

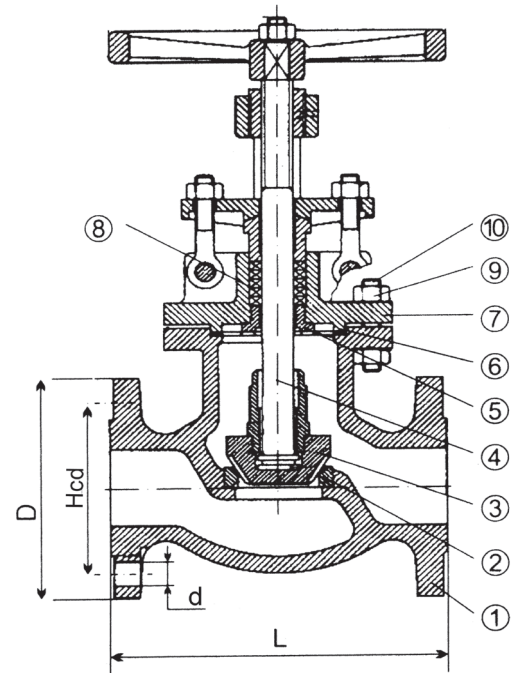


*Partnership.
Without Limits.*

www.lauridsenindustri.dk

Globe Valve ANSI 150 Flange Straight WCB

No	Part	Material
1	Body	A216 WCB
2	Seat ring	A105 + 13% Cr
3	Disc	A105 + 13% Cr
4	Stem	A182 F6a
5	Backseat	A182 F6a
6	Gasket	Graphite
7	Bonnet	A216 WCB
8	Packing	Graphite
9	Stud nut	A 194 2H
10	Stud	A193 B7



Variants:

Other dimensions/materials on request

DN	D	n	Hcd	d	L	Max working-pressure Mpa		Weight Kg
						-29 to 38 °C	400 °C	
40	127	4	99	16	165	1,96	1,58	18,0
50	152	4	121	18	203	1,96	1,58	24,0
65	178	4	140	18	216	1,96	1,58	32,0
80	191	4	152	18	241	1,96	1,58	41,0
100	229	8	191	18	292	1,96	1,58	65,0
125	255	8	216	23	356	1,96	1,58	82,0
150	279	8	241	23	406	1,96	1,58	112,0
200	343	8	298	23	495	1,96	1,58	178,0
250	406	12	362	26	622	1,96	1,58	275,0
300	483	12	432	26	699	1,96	1,58	