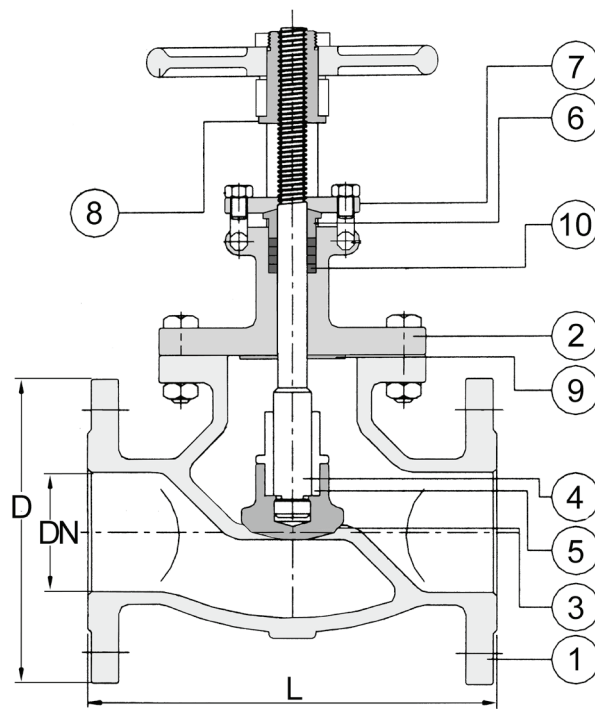




Globe Valve ANSI 150 Flange Straight CF8M

Model/Ref: 467097



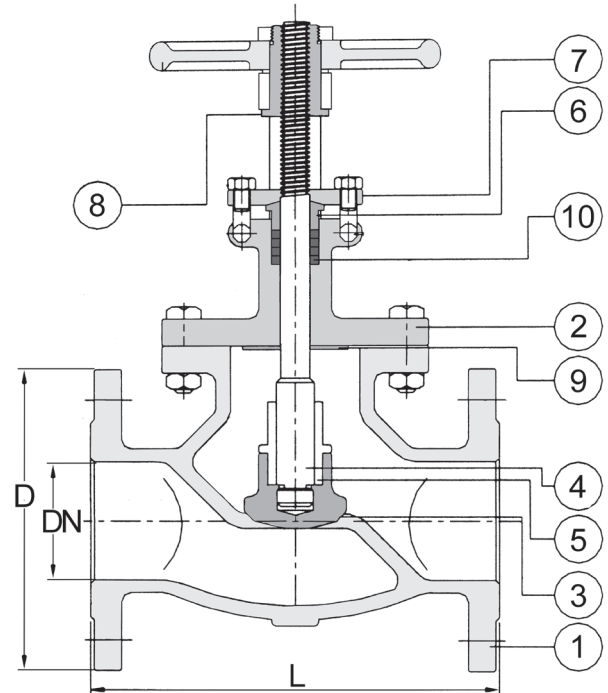
*Partnership.
Without Limits.*

www.lauridsenindustri.dk

Globe Valve ANSI 150 Flange Straight CF8M

No	Part	Material
1	Body	ASTM A351 - CF8M
2	Bonnet	ASTM A351 - CF8M
3	Disc	ASTM A351 - CF8M
4	Stem	ASTM A276 316
5	Disc nut	ASTM A351 - CF8M
6	Packing gland	ASTM A276 316
7	Gland Flange	ASTM A351 - CF8M
8	Yoke sleeve	ASTM A439 - DC2
9	Gasket	PTFE
10	Packing	PTFE

Variants:



Other dimensions/materials on request

DN	D	n	Hcd	d	L	Max working-pressure, Mpa		Weight Kg
						-29 to 38 °C	300 °C	
15	88,9	4	60,3	15	108	1,96	1,58	
20	98,4	4	69,8	15	117	1,96	1,58	
25	108	4	79,4	15	127	1,96	1,58	
40	127	4	98,4	15	165	1,96	1,58	
50	152	4	121	18	203	1,96	1,58	
65	178	4	140	18	216	1,96	1,58	
80	191	4	152	18	241	1,96	1,58	
100	229	8	191	18	292	1,96	1,58	
125	254	8	216	23	356	1,96	1,58	
150	279	8	241	23	406	1,96	1,58	
200	343	8	298	23	495	1,96	1,58	
250	406	12	362	26	622	1,96	1,58	
300	483	12	432	26	700	1,96	1,58	