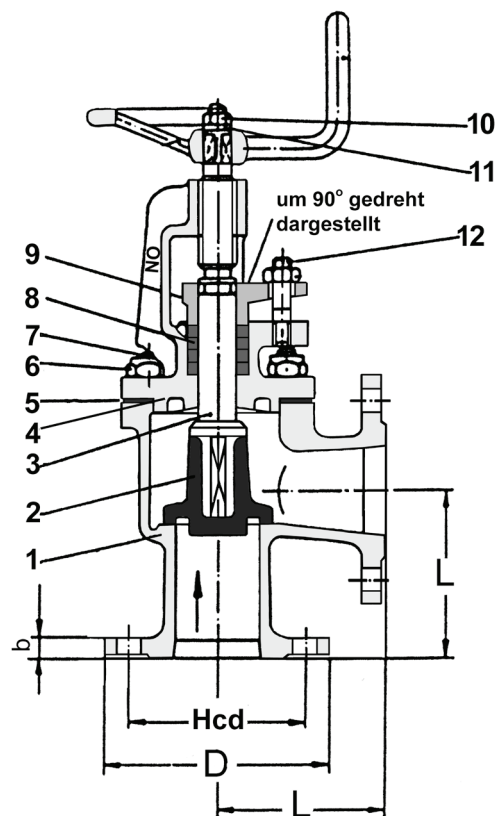




Globe Valve PN 10 Flange Angle CuSn10

Model/Ref: 850342

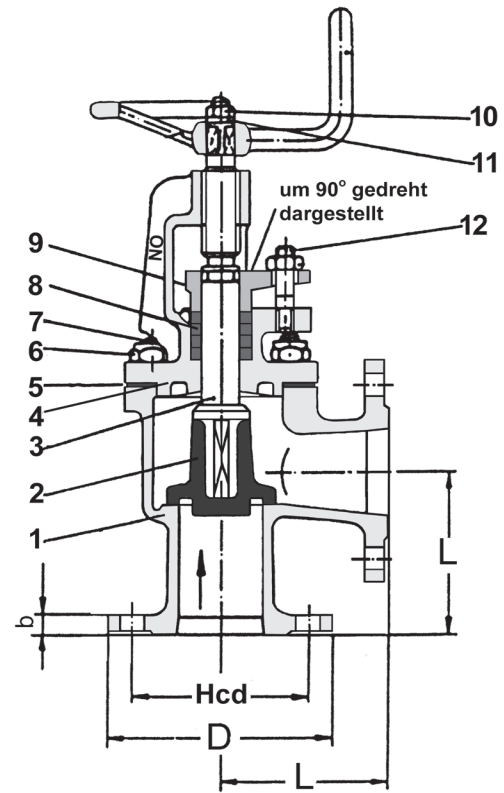


*Partnership.
Without Limits.*

www.lauridsenindustri.dk

Globe Valve PN 10 Flange Angle CuSn10

No	Part	Material
1	Body	Zincfree Bronze Cu Sn 10
2	Disc	Zincfree Bronze Cu Sn 10
3	Stem	Cu Sn 8
4	Bonnet	Zincfree Bronze Cu Sn 10
5	Packing	It Mo
6	Nut	Cu Sn 6 F35
7	Bolt	Cu Mn 14
8	Gland packing	PTFE
9	Gland	Zincfree Bronze Cu Sn 10
10	Nut	Cu Sn 6 F35
11	Washer	Cu Sn 8
12	Bolt	Cu Mn 14


Variants:

S.D.N.R. = Non return disc

Soft sealed

Other dimensions/materials on request

DN	D	n	Hcd	d	b	L	Max working-pressure		Weight Kg
							Mpa	Mpa	
40	108	6	84	M10	10	80	1,0		5,2
50	120	6	96	M10	10	85	1,0		5,9
70	140	8	116	M10	12	110	1,0		8,6
80	150	8	126	M10	12	115	1,0		10,7
100	172	10	148	M10	12	130	1,0		14,0
125	200	10	176	M10	14	145	1,0		18,8
150	226	12	202	M10	14	160	1,0		22,6
175	264	14	240	M10	14	180	0,4		31,7
200	288	16	264	M10	14	200	0,4		36,9
250	340	20	316	M10	14	240	0,4		60,0
300	392	24	368	M10	16	280	0,4		83,0