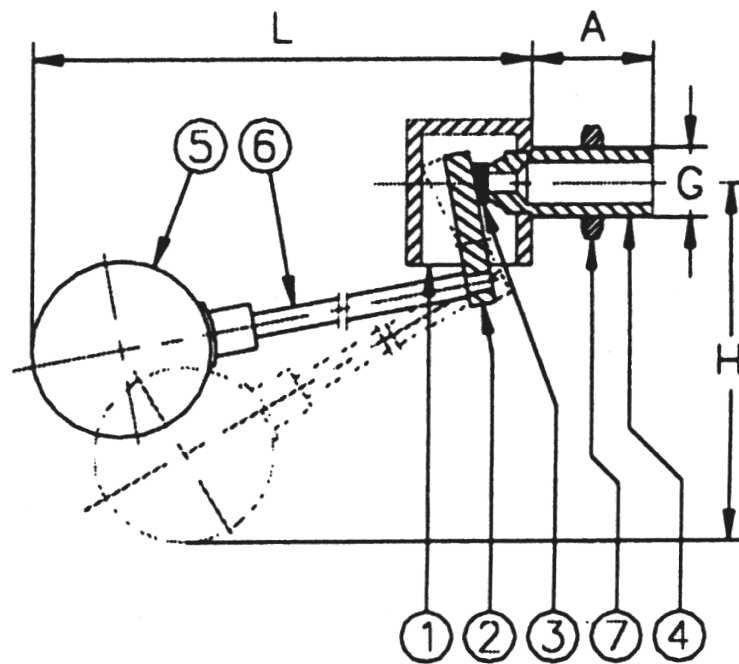




Float Valve PN 16 Flange SS316

Model/Ref: 312891

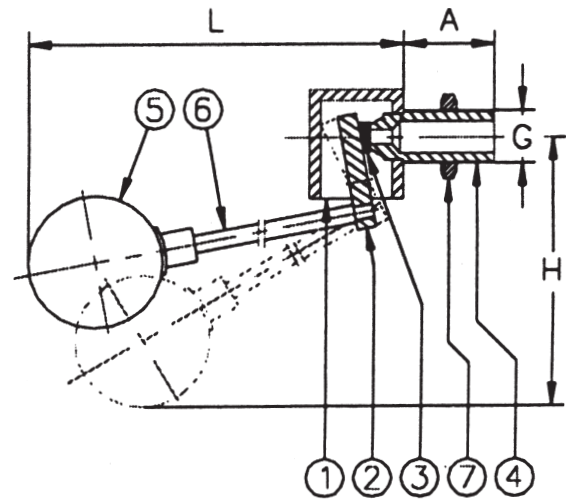


*Partnership.
Without Limits.*

www.lauridsenindustri.com

Float Valve PN 16 Flange SS316

No	Part	Material
1	Body	Stainless steel SS316
2	Disc	Stainless steel SS316
3	Disc ring	Silicone rubber
4	Coupling	Stainless steel SS316
5	Ball float	Stainless steel SS316
6	Lever	Stainless steel SS316
7	Nut	Stainless steel SS316
8		
9		
10		


Variants:

Other dimensions/materials on request

DN	G	Ball float Diam	A	L	H	l/h water 20 °C	Max working- pressure		Weight Kg
							Mpa 120 °C	Mpa 200 °C	
10	3/8"	90	31	386	225	2250		0,5	0,5
15	1/2"	110	35	466	260	5300		0,45	0,9
20	3/4"	150	40	507	282	14500		1,1	1,3
25	1"	150	45	615	327	14600		0,45	1,8
32	1 1/4"	200	50	680	355	32000		0,8	2,0
40	1 1/2"	300	57	710	310	38500		0,7	3,3
50	2"	300	60	827	440	72000		1,0	4,8
65	2 1/2"	300	79	845	490	78000		0,5	7,5