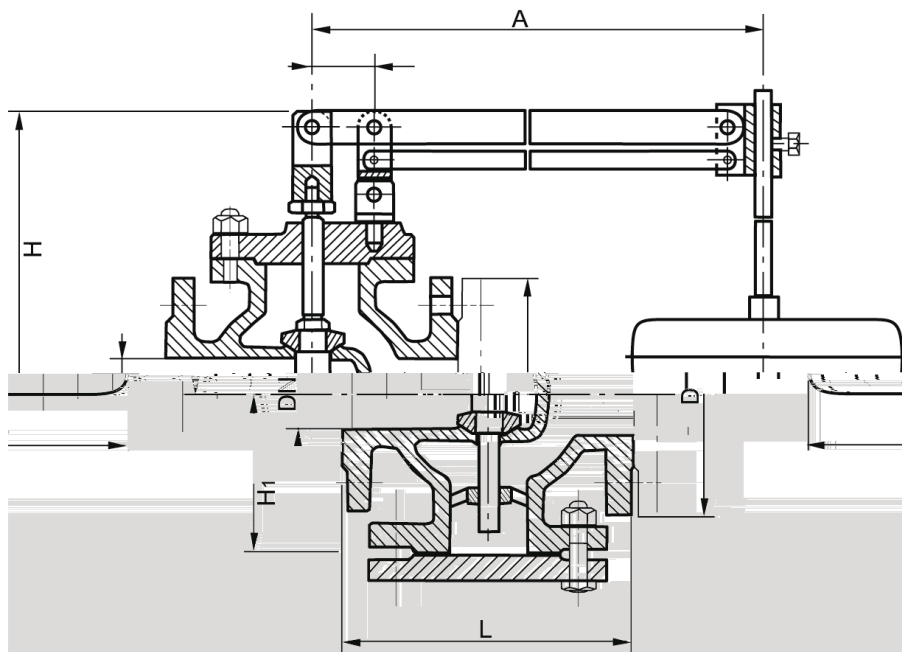




## Float Valve PN 16 Flange Straight GG25

Model/Ref: 312951

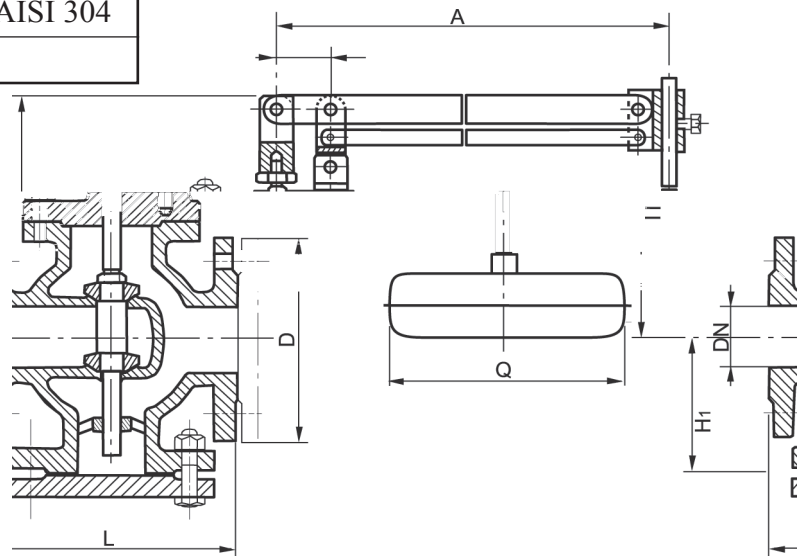


*Partnership.  
Without Limits.*

[www.lauridsenindustri.com](http://www.lauridsenindustri.com)

## Float Valve PN 16 Flange Straight GG25

No	Part	Material
1	Body	Cast iron GG25
2	Bonnet	Cast iron GG25
3	Stem	X 20CR 13
4	Body set facing	Stainless steel AISI 304
5	Disc	Forged steel 105
6	Disc facing	Stainl.steel A105+rubber
7	Bonnet Gasket	Asbestos free
8	Float	Stainless steel AISI 304
9	Lever	Steel A37



Variants:

Other dimensions/materials on request

DN	D	n	Hcd	d	L	A			Weight Kg
							Mpa 150 °C	Mpa	
40	150	4	110	18	180	700			22
50	165	4	125	18	200	700			28
65	185	4	145	18	240	700			37
80	200	8	160	18	260	700			52
100	220	8	180	18	300	1050			65
125	250	8	210	18	350	1050			90
150	285	8	240	22	400	1100			130
200	340	8	295	22	500	1300			180
250	405	12	355	26	600	1300			275
300	460	12	410	26	700	1400			330