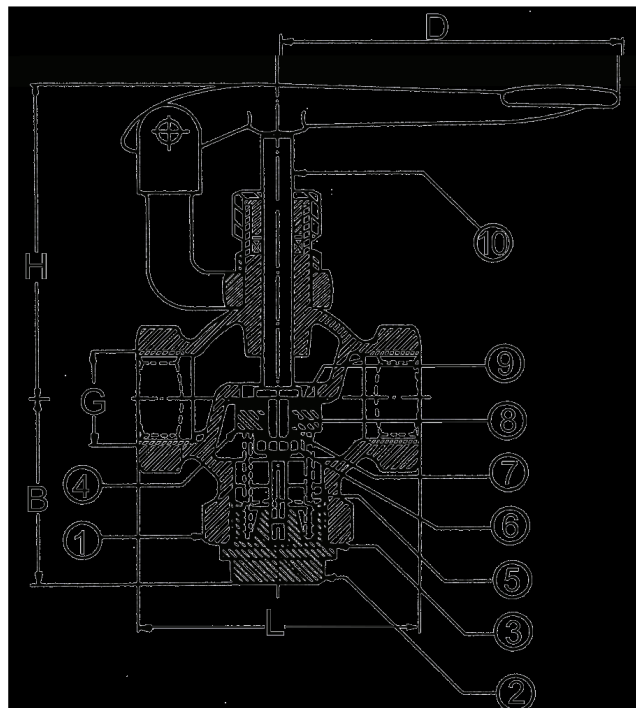




**Flushing Valve PN 16
Thread Straight Bronze Rg5**

Model/Ref: 314022

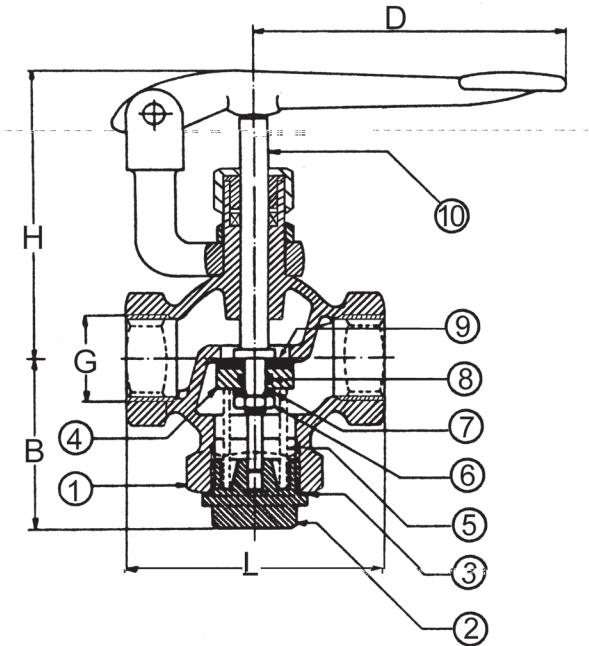


*Partnership.
Without Limits.*

www.lauridsenindustri.com

Flushing Valve PN 16 Thread Straight Bronze Rg5

No	Part	Material
1	Body	Bronze Rg5
2	Cover	Bronze Rg5
3	Gasket	Graphite
4	Disc	Special brass
5	Spring	Spring steel Cr18Ni8
6	Nut	Brass CZ121
7	Washer	CZ121
8	O-ring	Perbunan rubber
9	Disc ring	PTFE
10	Stem	Special brass


Variants:

Other dimensions/materials on request

DN	G	B	H	D	L	Max working-pressure		Weight Kg
						Mpa 80 °C	Mpa 200 °C	
15	1/2"	44	84	83	65	1,6		0,8
20	3/4"	51	87	83	76	1,6		1,0
25	1"	53	89	83	80	1,6		1,2
32	1 1/4"	60	107	155	90	1,6		2,2
40	1 1/2"	69	119	155	102	1,6		2,8
50	2"	85	135	155	136	1,6		4,5