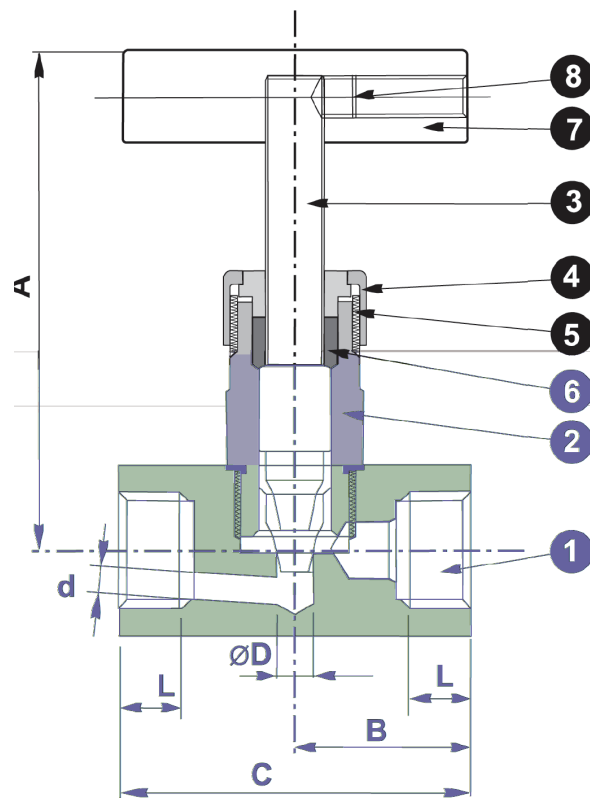




Needle Valve PN 400 Thread Straight AISI 316

Model/Ref: 460895

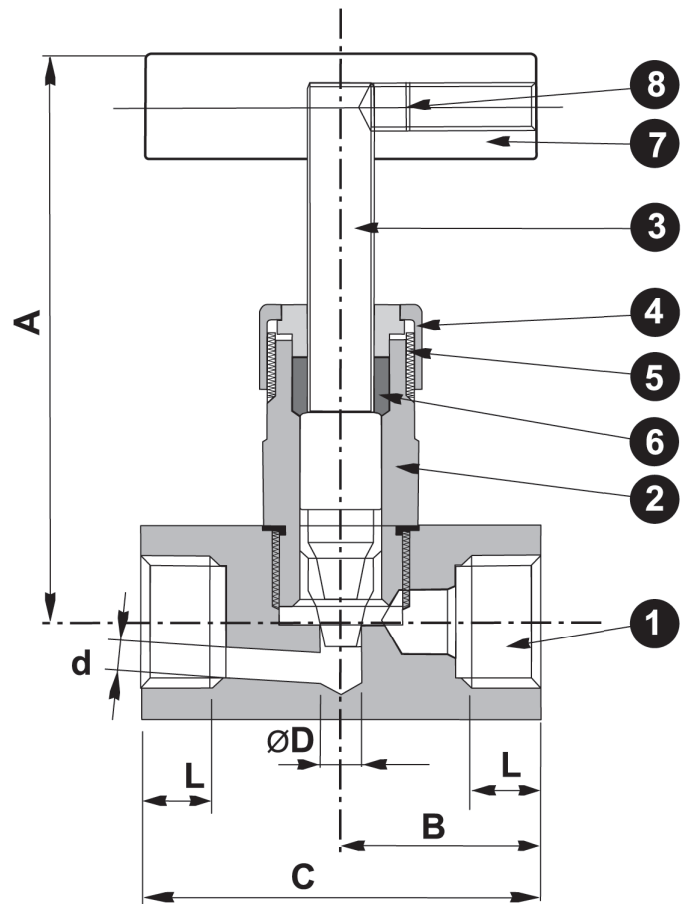


*Partnership.
Without Limits.*

www.lauridsenindustri.com

Needle Valve PN 400 Thread Straight AISI 316

No	Part	Material
1	Body	Stainless steel AISI 316
2	Bonnet	Stainless steel AISI 316
3	Stem	Stainless steel AISI 316
4	Gland nut	Stainless steel AISI 304
5	Gland	Stainless steel AISI 304
6	Gland packing	Teflon
7	Handle	Stainless steel AISI 410
8	Set screw	Stainless steel AISI 304


Variants:

Other dimensions/materials on request

DN	G	A	B	C	d	D	Max working-pressure		Weight Kg
							Mpa 20 °C	Mpa 300 °C	
8	1/4"	75	29	58	5	5	40,0	20	0,4
10	3/8"	75	29	58	5	5	40,0	20	0,4
15	1/2"	87	32,5	65	6	6	40,0	20	0,6
20	3/4"	90	35	70	6	6	40,0	20	0,7
25	1"	103	40	80	8	8	40,0	20	1,2