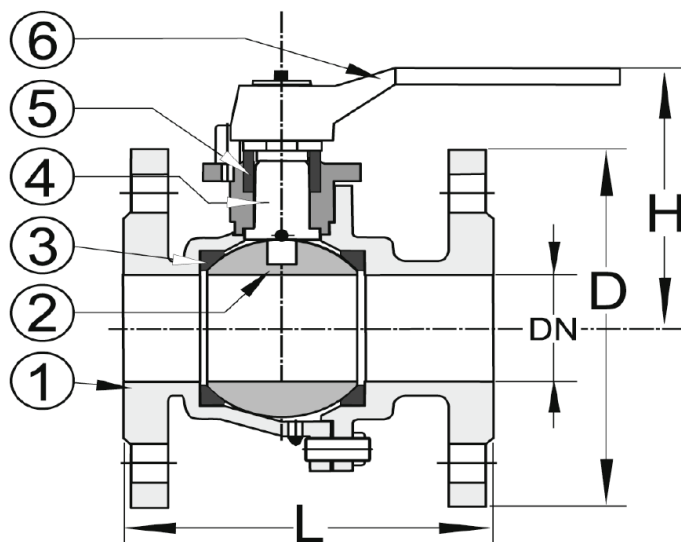




Ball Valve PN 16 Flange Straight Bronze

Model/Ref: 445122

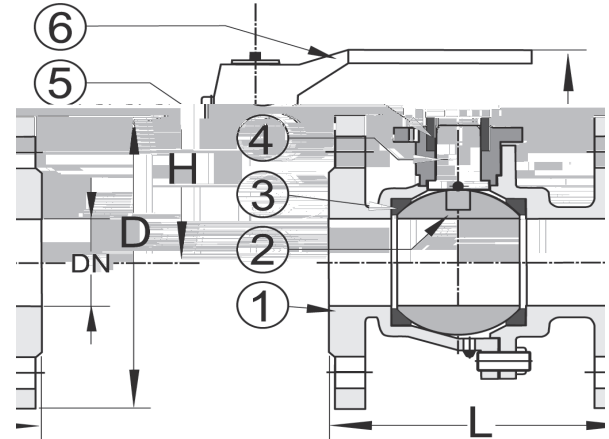


*Partnership.
Without Limits.*

www.lauridsenindustri.com

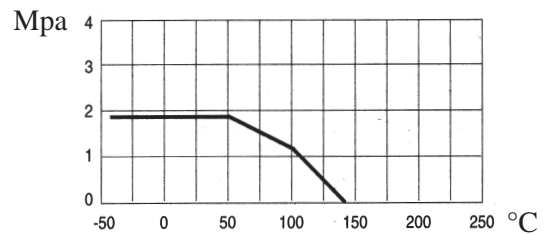
Ball Valve PN 16 Flange Straight Bronze

No	Part	Material
1	Body	Bronze Rg5
2	Ball	Stainless steel SS316
3	Seating	PTFE
4	Stem	Stainless steel SS316
5	Stem packing	Viton
6	Lever	Cast iron Fe360C
7		
8		
9		
10		


Variants:

Various actuators
 Seating Carbon filled PTFE
 Ball Chromed brass

Other dimensions/materials on request



DN	D	n	Hcd	d	L	H	Max working-pressure		Weight Kg
							acc. to above chart		
15	105	4	65	M12	120	85			2,5
20	105	4	75	14	120	85			2,5
25	115	4	85	14	125	95			3,2
32	140	4	100	18	130	100			4,4
40	150	4	110	18	140	118			5,5
50	165	4	125	18	150	125			8,5
65	185	4	145	18	170	152			11,5
80	200	8	160	18	180	166			15,5
100	220	8	180	18	190	180			20,0
125	250	8	210	18	200	225			30,0
150	285	8	240	22	210	242			36,0
200	340	8	295	22	400	320			93,0