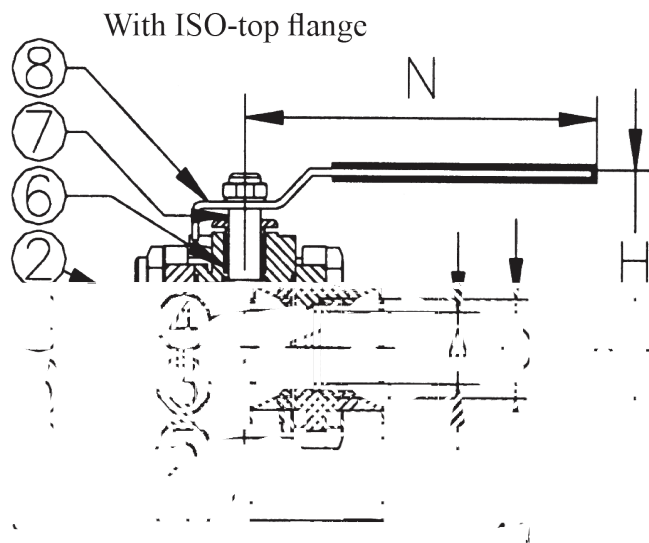




## Ball Valve PN 64 Thread Straight SS316

Model/Ref: 440095

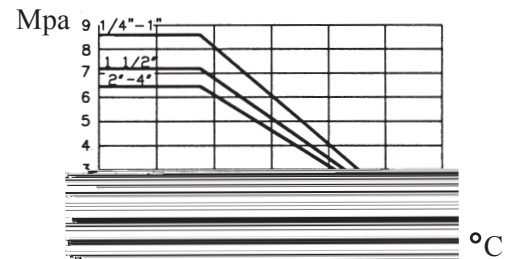
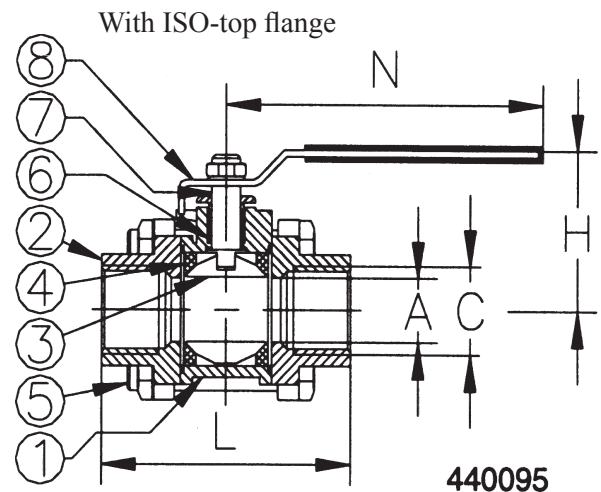


*Partnership.  
Without Limits.*

[www.lauridsenindustri.com](http://www.lauridsenindustri.com)

**Ball Valve PN 64 Thread Straight SS316**

No	Part	Material
1	Body	Stainless steel SS316
2	Screwed end	Stainless steel SS316
3	Ball	Stainless steel SS316
4	Seatring	PTFE 15% glasfibre
5	Bolt	Stainless steel SS304
6	Stem packing	PTFE
7	Stem	Stainless steel SS316
8	Lever	Stainless steel SS304
9		
10		


**Variants:**

Various actuators

Seatring Carbon filled PTFE

Other dimensions/materials on request

DN	G	A	N	L	H	Max working-pressure		Weight Kg
						acc. to above chart		
8	1/4"	11,6	100	64	45			0,4
10	3/8"	12,7	100	64	45			0,5
15	1/2"	15,0	115	66	49			0,6
20	3/4"	20,0	115	84	52			0,9
25	1"	25,4	152	100	72			1,2
32	1 1/4"	32,0	152	116	78			2,1
40	1 1/2"	38,0	186	131	86			2,8
50	2"	50,8	186	151	95			4,4
65	2 1/2"	65,0	234	187	130			8,4
80	3"	80,0	234	213	142			13,3
100	4"	100,0	280	240	173			19,5