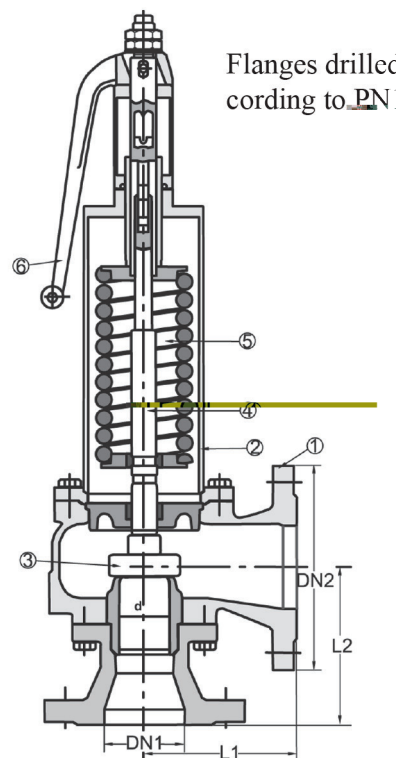




Safety Valve PN 16 Flange Angle GGG40.3

Model/Ref: 475302

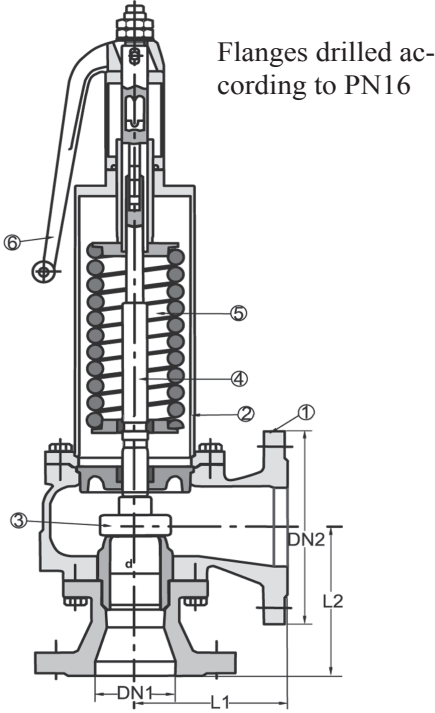


*Partnership.
Without Limits.*

www.lauridsenindustri.com

Safety Valve PN 16 Flange Angle GGG40.3

No	Part	Material
1	Body	Nodular Cast iron GGG40.3
2	Bonnet	Nodular Cast iron GGG40.3
3	Disc	X35CrMo17
4	Stem	Stainless steel
5	Spring	X35CrMo17
6	Lever	Steel



Variants:
 Cast iron GG25 / PN16
 Cast steel GSC25 / PN40
 Stainless steel SS316 / PN16-40
 Softseated in NBR, EPDM, Viton and Teflon
 Other dimensions/materials on request

DN	DN2				L1	L2	Max working-pressure		Weight Kg
							Inlet	Outlet	
20	32				85	95	16-250	16/40	4,5
25	40				95	105	16-250	16/40	4,6
32	50				100	110	16-160	16/40	9,6
40	65				115	130	16-160	16/40	10,0
50	80				125	145	16-160	16/40	15,0
65	100				140	150	16-160	16/40	19,3
80	125				155	170	16-160	16/40	36,8
100	150				175	180	16-160	16/40	40,5