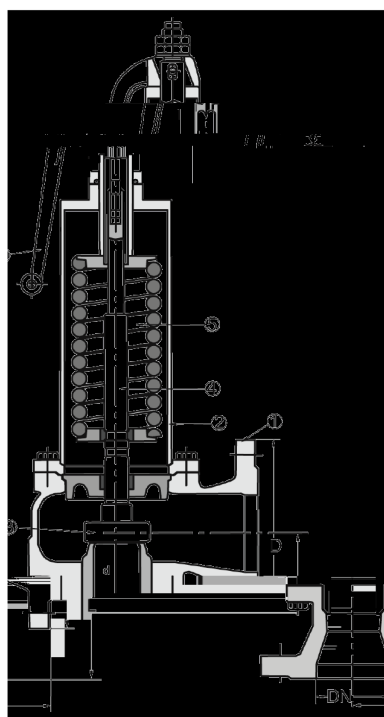




## Safety Valve PN 16 Flange Angle GGG40.3

Model/Ref: 475102



*Partnership.  
Without Limits.*

[www.lauridsenindustri.com](http://www.lauridsenindustri.com)

**Safety Valve PN 16 Flange Angle GGG40.3**

No	Part	Material
1	Body	Nodular Cast iron GGG40.3
2	Bonnet	Nodular Cast iron GGG40.3
3	Disc	X35CrMo17
4	Stem	Stainless steel
5	Spring	X35CrMo17
6	Lever	Steel

**Variants:**

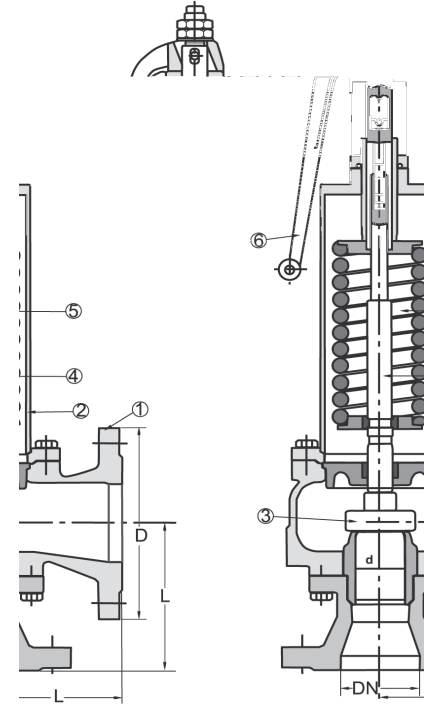
Cast iron GG25 / PN16

Cast steel GSC25 / PN40

Stainless steel SS316 / PN16-40

Softseated in NBR, EPDM, Viton and Teflon

Other dimensions/materials on request



DN	D	n	Hcd	d	L	Max working-pressure		Weight Kg
						Inlet	Outlet	
15	95	4	60	14	90	16-250	16/40	4,3
20	105	4	75	14	95	16-250	16/40	4,5
25	115	4	85	14	100	16-250	16/40	4,6
32	140	4	100	18	105	16-160	16/40	9,6
40	150	4	110	18	115	16-160	16/40	10,0
50	165	4	125	18	125	16-160	16/40	15,0
65	185	4	145	18	145	16-160	16/40	19,3
80	200	8	160	18	155	16-160	16/40	36,8
100	220	8	180	18	175	16-160	16/40	40,5