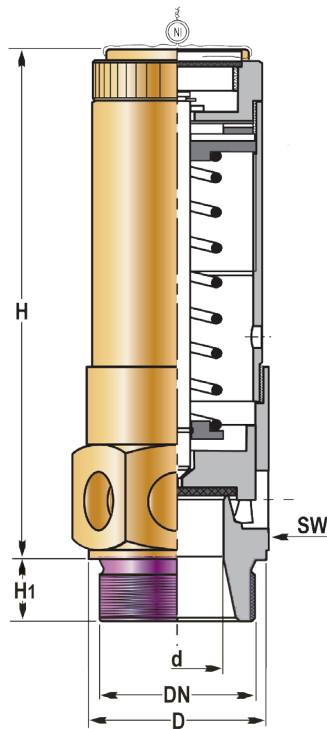




## Safety Valve PN 40 Thread Straight Brass

Model/Ref: 474013

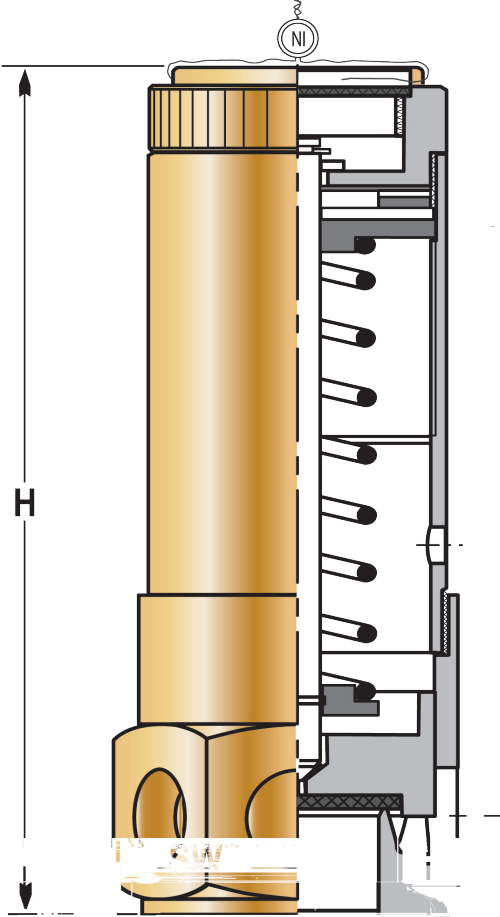


*Partnership.  
Without Limits.*

[www.lauridsenindustri.com](http://www.lauridsenindustri.com)

**Safety Valve PN 40 Thread Straight Brass**

No	Part	Material
1	Body	Brass



Other dimensions/materials on request

DN	G	D	H	H1	d	Max working pressure		Weight Kg
						Mpa 130°C		
8	1/4	18	75	12	7/10	3,5		0,12
10	3/8	22	75	12	10	3,5		0,12
15	1/2	26	90	14	12,5	3,5		0,21