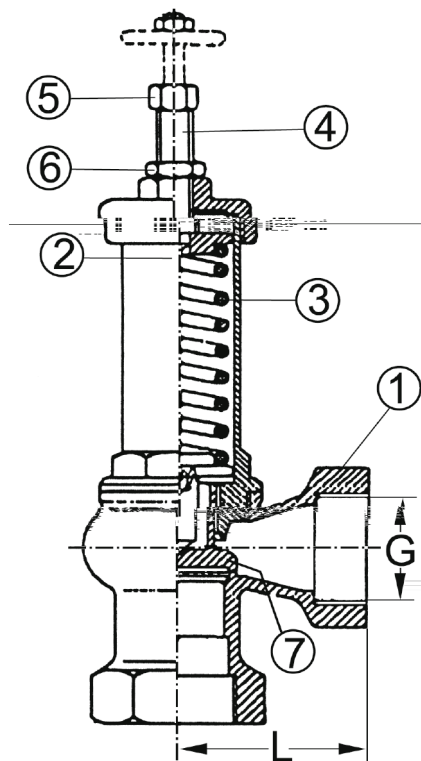




## Safety Valve PN 16 Thread Angle Bronze

Model/Ref: 473797



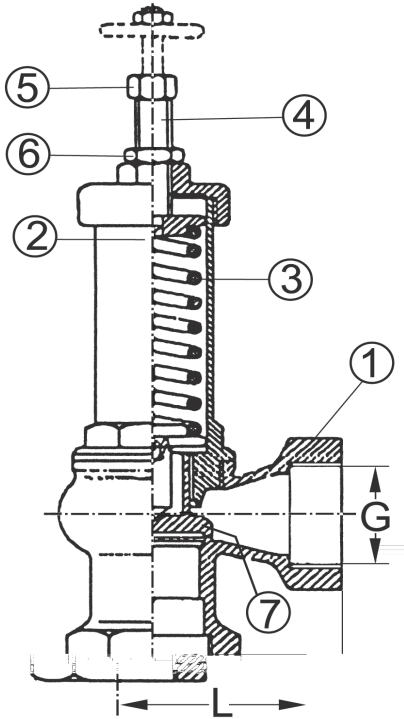
*Partnership.  
Without Limits.*

[www.lauridsenindustri.com](http://www.lauridsenindustri.com)

**Safety Valve PN 16 Thread Angle Bronze**

No	Part	Material
1	Body	Bronze Rg5
2	Bonnet	Bronze Rg5
3	Spring	Stainless steel SS316
4	Stem	Special brass
5	Nut	Special brass
6	Locking nut	Special brass
7	Disc	Bronze Rg5

**Variants:**  
 Flanged end



Other dimensions/materials on request

DN	G				L	Max working-pressure		Weight Kg
						Mpa		
15	1/2"				42	1,3		0,7
20	3/4"				47	1,3		0,9
25	1"				55	1,3		1,3
32	1 1/4"				65	1,3		1,9
40	1 1/2"				75	1,3		3,0
50	2"				85	1,3		3,9
65	2 1/2"				105	1,3		7,5