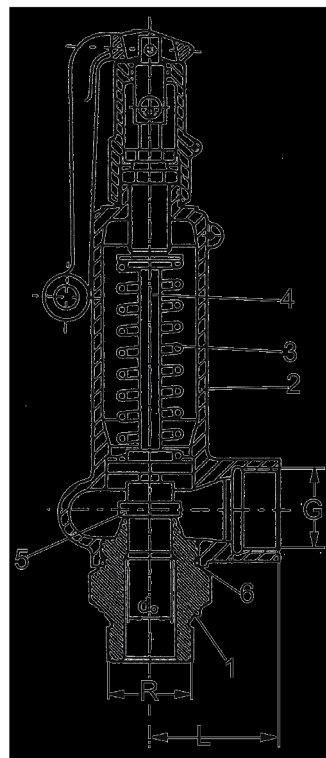




Safety Valve PN 16/250 Thread Angle GGG40.3

Model/Ref: 479102

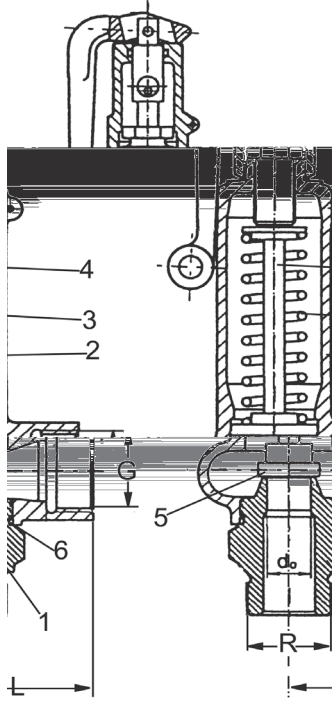


*Partnership.
Without Limits.*

www.lauridsenindustri.com

Safety Valve PN 16/250 Thread Angle GGG40.3

No	Part	Material
1	Body	Nodular Cast iron GGG40.3
2	Bonnet	Nodular Cast iron GGG40.3
3	Spring	Stainless steel SS302
4	Stem	X12CrNi77
5	Disc	X35CrMo17
6	O-ring	NBR



Variants:
 Material Stainless steel SS316
 Material Cast steel GSC25
 Disc with NBR- EPDM- Nylon- Viton-sealing

Other dimensions/materials on request

R	G	L	Max working-pressure		Weight Kg
			Air Mpa	Steam Mpa	
3/8"	1/2"	40	25	25	1,0
1/2"	1/2"	40	25	25	1,0
3/4"	1/2"	40	25	25	1,0
1/2"	1"	50	25	25	1,6
3/4"	1"	50	25	25	1,6
1"	1"	50	25	25	1,6
1 1/4"	1"	50	9	9	1,8
1 1/2"	1"	50	4	4	1,8
2"	1"	50	4	4	1,8