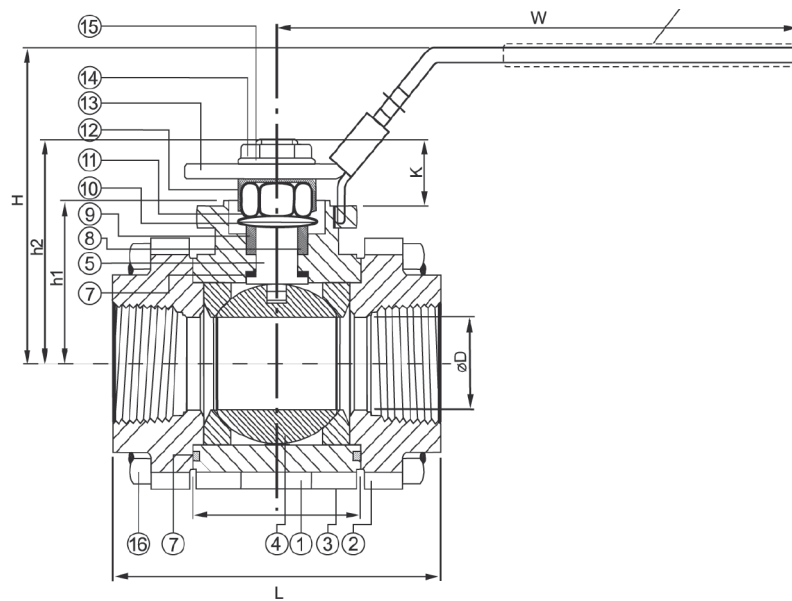




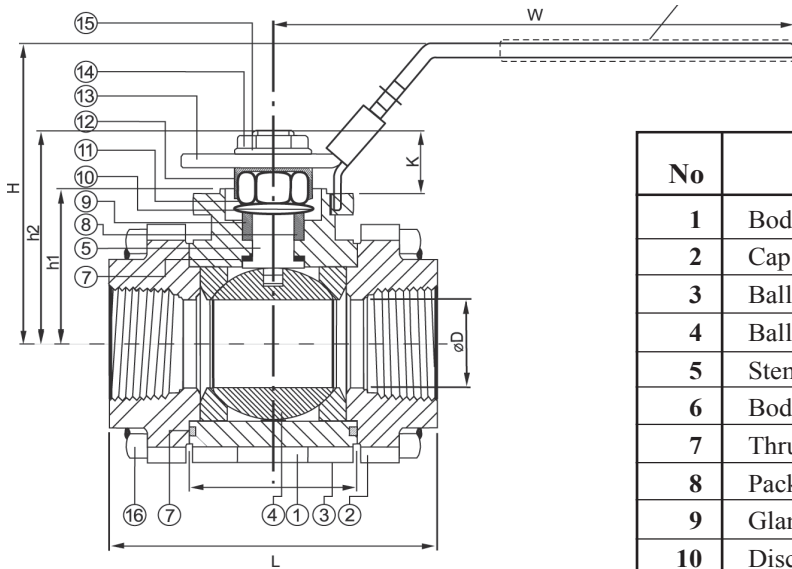
Ball Valve PN 210 Thread Straight GSC25

Model/Ref: 441066



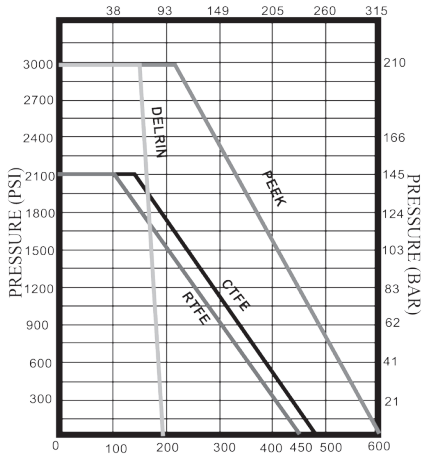
*Partnership.
Without Limits.*

www.lauridsenindustri.com

Ball Valve PN 210 Thread Straight GSC25


No	Part	Material
1	Body	Cast Steel GSC25
2	Cap	Cast Steel GSC25
3	Ball seat	PEEK
4	Ball	Stainless steel SS316
5	Stem	Stainless steel SS316
6	Body Seal	GRAPHITE
7	Thrust Washer	
8	Packing	AISI 304
9	Gland ring	
10	Disc spring	
11	Packing nut	
12	Lock Pad	
13	Handle	
14	Handle nut	AISI 304
15	Spring Washer	
16	Bolt	

PRESSURE-TEMPERATURE RATING
TEMPERATURE °C



Variants:
 Various actuators
 Various Seatings

Other dimensions/materials on request

DN	D	L	H	K	Max working-pressure		Weight Kg
					acc. to above chart		
8	14,3	74,8	45	15,3			0,7
10	14,3	74,8	45	15,3			0,9
15	14,3	74,8	49	15,3			1,5
20	20,7	80	52	16,8			1,9
25	25,4	93,1	72	17			2,4
32	31,5	109,5	78	29,6			2,8
40	38,0	120	86	29,6			3,4
50	50,8	139,6	95	29,6			5,0