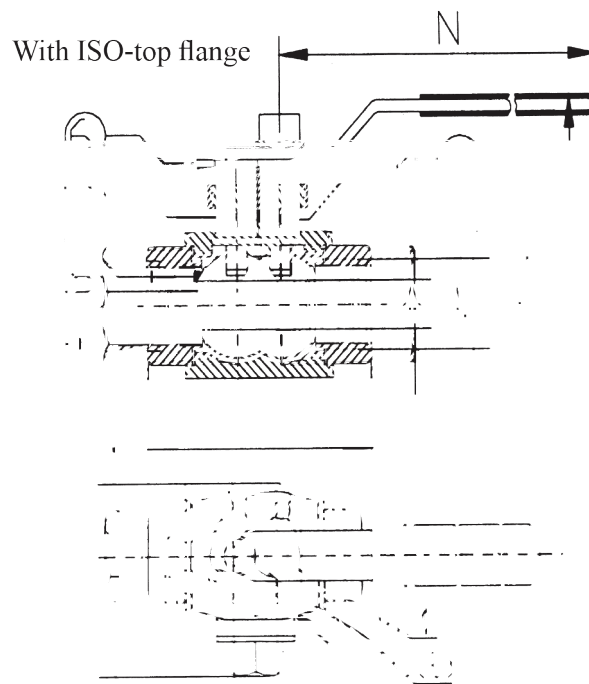




## 3-Way Ball Valve PN 40 Thread 3-way SS316

Model/Ref: 448095

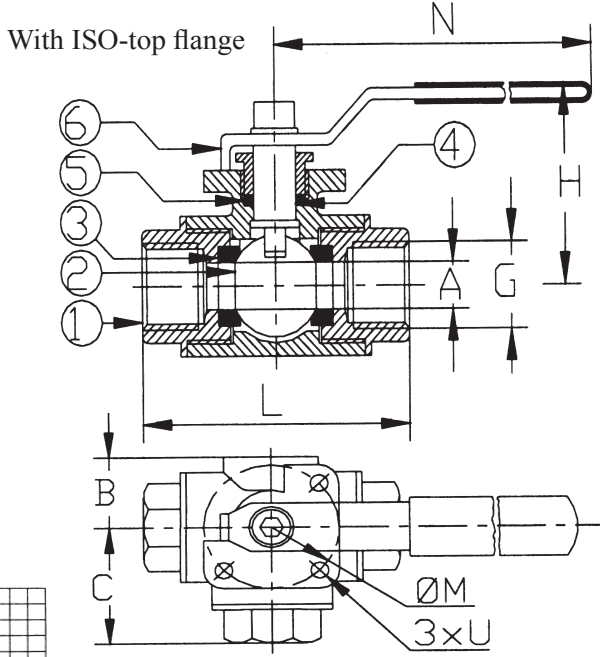


*Partnership.  
Without Limits.*

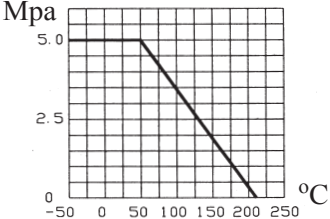
[www.lauridsenindustri.com](http://www.lauridsenindustri.com)

**3-Way Ball Valve PN 40 Thread 3-way SS316**

| No | Part         | Material              |
|----|--------------|-----------------------|
| 1  | Body         | Stainless steel SS316 |
| 2  | Ball         | Stainless steel SS316 |
| 3  | Seat ring    | PTFE 15% glasfibre    |
| 4  | Stem         | Stainless steel SS316 |
| 5  | Stem packing | PTFE                  |
| 6  | Lever        | Stainless steel SS304 |
|    |              |                       |
|    |              |                       |
|    |              |                       |



**Variants:**  
 Ball design L-port  
 Ball design T-port  
 Various actuators  
 Seating Carbon filled PTFE  
 Other dimensions/materials on request



| DN | G      | A    | B  | C    | L   | H   | Max working-pressure |  | Weight Kg |
|----|--------|------|----|------|-----|-----|----------------------|--|-----------|
|    |        |      |    |      |     |     | acc. to above chart  |  |           |
| 8  | 1/4"   | 9,5  | 22 | 39,5 | 79  | 63  |                      |  | 0,8       |
| 10 | 3/8"   | 9,5  | 22 | 39,5 | 79  | 63  |                      |  | 0,8       |
| 15 | 1/2"   | 12,0 | 22 | 39,5 | 79  | 63  |                      |  | 0,8       |
| 20 | 3/4"   | 15,0 | 28 | 44,0 | 88  | 75  |                      |  | 1,2       |
| 25 | 1"     | 20,0 | 31 | 54,0 | 108 | 82  |                      |  | 1,7       |
| 32 | 1 1/4" | 25,0 | 34 | 62,0 | 108 | 89  |                      |  | 2,8       |
| 40 | 1 1/2" | 32,0 | 40 | 67,5 | 135 | 90  |                      |  | 4,0       |
| 50 | 2"     | 40,0 | 48 | 82,0 | 164 | 100 |                      |  | 6,8       |
|    |        |      |    |      |     |     |                      |  |           |
|    |        |      |    |      |     |     |                      |  |           |
|    |        |      |    |      |     |     |                      |  |           |
|    |        |      |    |      |     |     |                      |  |           |
|    |        |      |    |      |     |     |                      |  |           |
|    |        |      |    |      |     |     |                      |  |           |
|    |        |      |    |      |     |     |                      |  |           |