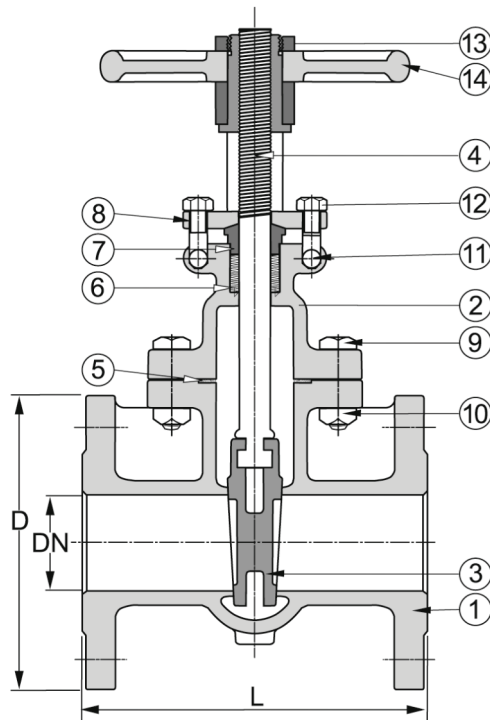




## Gate Valve ANSI 300 Flange Straight CF8M

Model/Ref: 620798

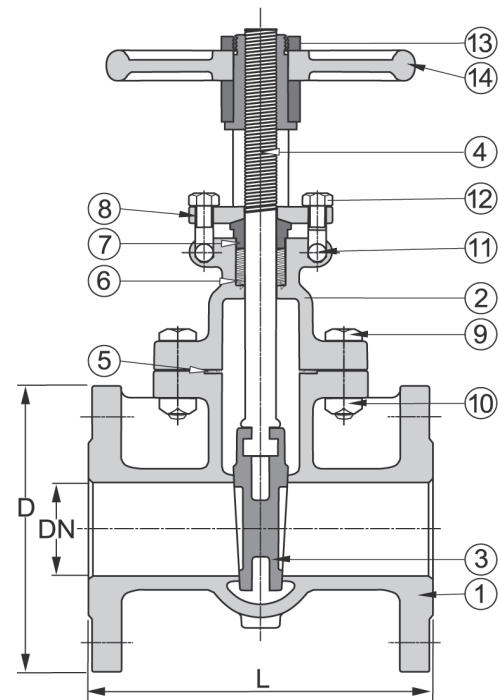


*Partnership.  
Without Limits.*

[www.lauridsenindustri.com](http://www.lauridsenindustri.com)

**Gate Valve ANSI 300 Flange Straight CF8M**

No	Part	Material
1	Body	ASTM A351 - CF8M
2	Bonnet	AISI 316
3	Disc	ASTM A351 - CF8M
4	Stem	ASTM A276 - 316
5	Gasket	PTFE
6	Packing	PTFE
7	Gland packing	AISI 316
8	Gland flange	ASTM A351 - CF8M
9	Bolt	ASTM A193-B8
10	Nut	ASTM A194-8
11	Stud	ASTM A193-B8
12	Nut	ASTM A194-8
13	Nut	AISI 304
14	Handwheel	ASTM A536
15		


**Variants:**

Other dimensions/materials on request

DN	D	n	Hcd	d	L	Max working-pressure, Mpa		Weight Kg
						-29 to 38 °C	300 °C	
40	156	4	114	23	191	5,1	4,51	
50	165	8	127	19	216	5,1	4,51	
65	191	8	149	22	241	5,1	4,51	
80	210	8	168	22	283	5,1	4,51	
100	254	8	200	22	305	5,1	4,51	
125	279	8	235	22	381	5,1	4,51	
150	318	12	270	22	403	5,1	4,51	
200	381	12	330	25	419	5,1	4,51	
250	445	16	387	29	457	5,1	4,51	
300	521	16	451	32	502	5,1	4,51	