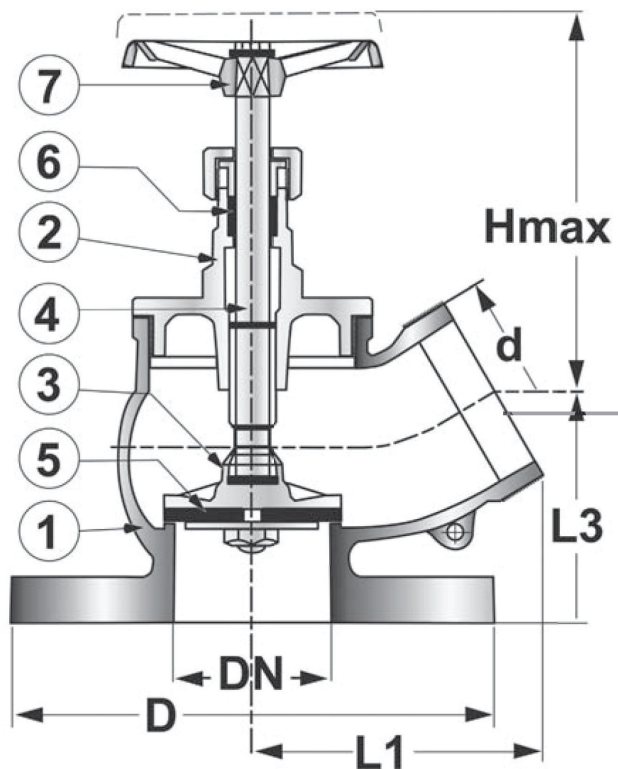




Fire Valve PN 16 Flange/Thread Angle Bronze

Model/Ref: 355922

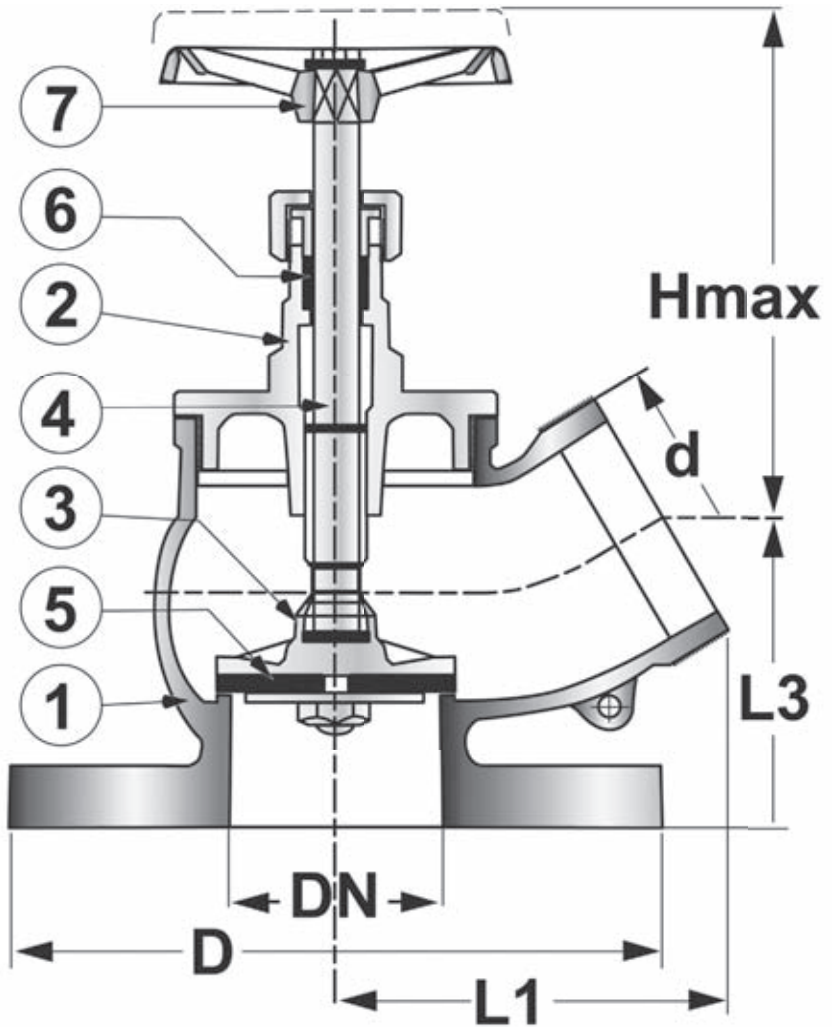


*Partnership.
Without Limits.*

www.lauridsenindustri.com

Fire Valve PN 16 Flange/Thread Angle Bronze

| No | Part | Material |
|----|------|----------|
| 1 | | |
| 2 | | |
| 3 | | |
| 4 | | |
| 5 | | |
| 6 | | |
| 7 | | |


Variants

| DN | d | D | L1 | L3 | Hmax | Max working-pressure | | Weight Kg |
|----|---|---|----|----|------|----------------------|-------|-----------|
| | | | | | | Mpa | 90 °C | |
| 50 | | | | | | | | |
| 65 | | | | | | | | |