



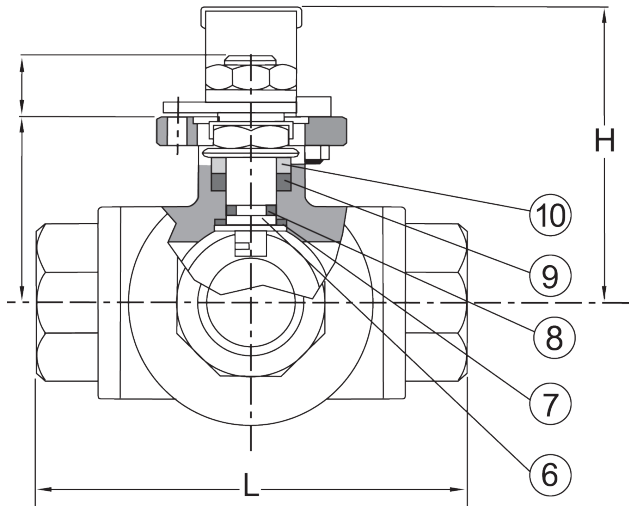
3-WAY BALL VALVE

Full Bore - Screwed end

448395

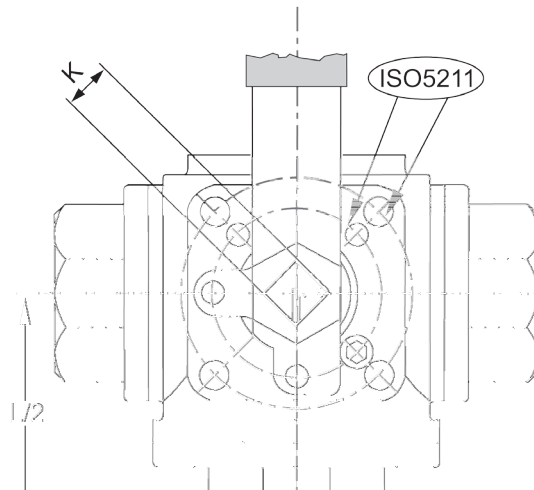
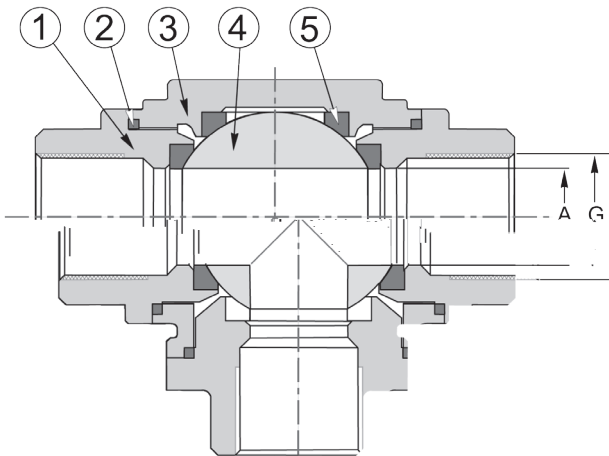
PN 56/70

No	Part	Material
1	End Cap	A351 Gr.CF8M
2	Gasket	PTFE
3	Body	A351 Gr.CF8M
4	Ball	SS316
5	Seats	PTFE/RPTFE
6	Stem	SS316
7	Stem seal	RPTFE
8	O-ring	Viton
9	Stem packing	Graphite
10	Gland	SS304



Variants:

Ball Design L-Port, T-port, Various actuators



DN	G	A	H	L/2	L	K	ISO5211	Max working-pressure		Weight kg
								Mpa 100°	Mpa 180°	
8	1/4"	11	62	36	72	9	F03/F04	7,0	3,0	0,66
10	3/8"	12	62	36	72	9	F03/F04	7,0	3,0	0,64
15	1/2"	15	64	41,5	83	9	F03/F04	7,0	3,0	0,85
20	3/4"	20	82	49,5	99	11	F04/F05	7,0	3,0	1,46
25	1"	25	89	56	112	11	F04/F05	7,0	3,0	2,18
32	1 1/4"	25	89	56	112	11	F04/F05	7,0	3,0	2,18
40	1 1/2"	32	98	62,5	125	14	F05/F07	5,6	2,4	3,28
50	2"	38	108	74,5	149	14	F05/F07	5,6	2,4	5,24