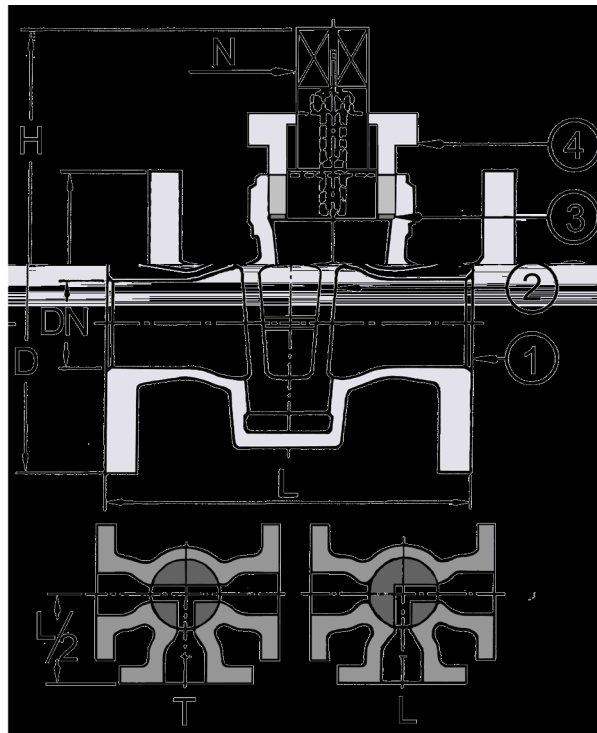




3-Way Gland Clock PN 10 Flange 3-way GG25

Model/Ref: 394551

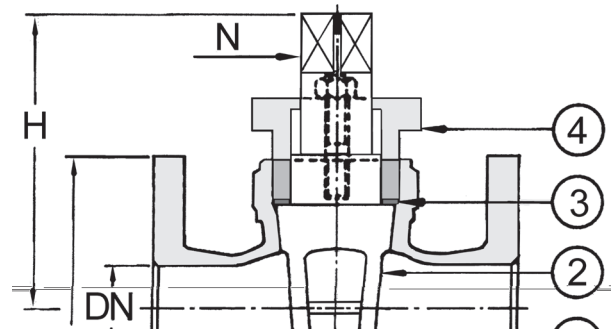


*Partnership.
Without Limits.*

www.lauridsenindustri.com

3-Way Gland Clock PN 10 Flange 3-way GG25

1	Body	Cast iron GG25
2	Plug of cock	Bronze


Variants:

Plug of cock L-port

Plug of cock T-port

Other dimensions/materials on request

DN	D	n	Hcd	d	L	L2	Max working-pressure		Weight Kg
							Mpa 100 °C	Mpa 225 °C	
15	95	4	65	14	130	65,0	1,0	0,65	3,5
20	105	4	75	14	150	75,0	1,0	0,65	5,5
25	115	4	85	14	160	80,0	1,0	0,65	6,3
32	140	4	100	18	180	90,0	1,0	0,65	10,5
40	150	4	110	18	200	100,0	1,0	0,65	12,0
50	165	4	125	18	230	115,0	1,0	0,65	16,5
65	185	4	145	18	290	145,0	1,0	0,65	23,0
80	200	8	160	18	310	155,0	1,0	0,65	32,0
100	220	8	180	18	350	175,0	1,0	0,65	50,0
125	250	8	210	18	400	200,0	1,0	0,65	77,0
150	285	8	240	22	480	240,0	1,0	0,65	95,0