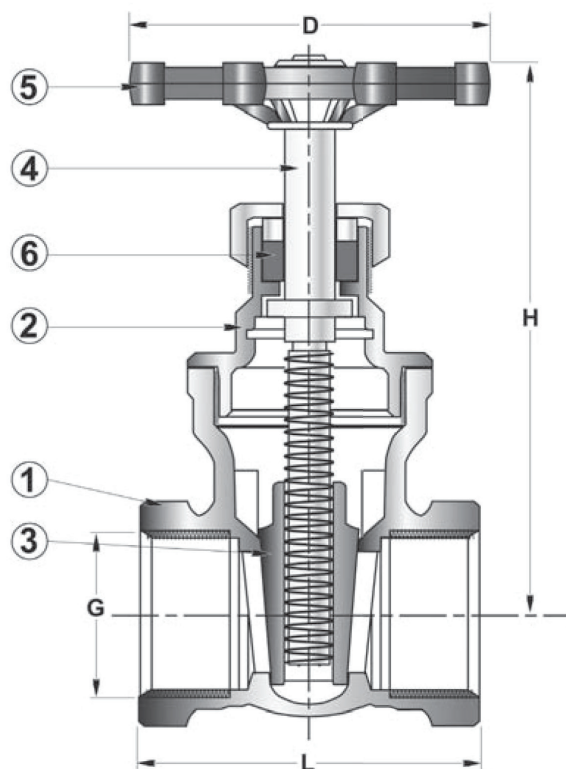




## Gate Valve PN 16 Thread Straight SS316

Model/Ref: 400692

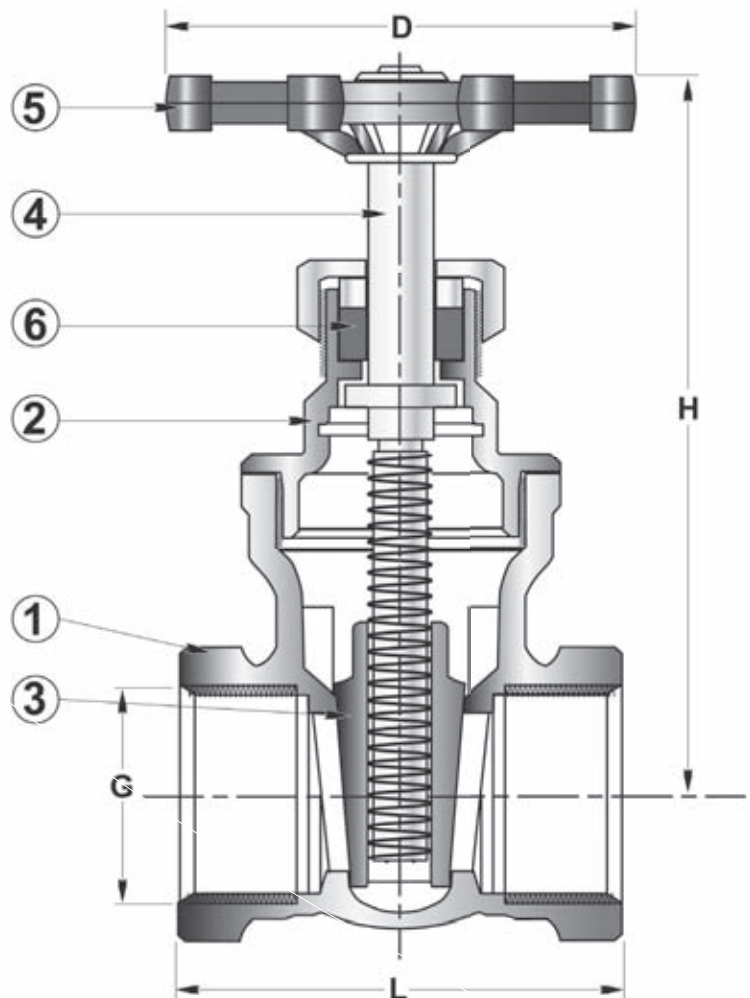


*Partnership.  
Without Limits.*

[www.lauridsenindustri.com](http://www.lauridsenindustri.com)

## Gate Valve PN 16 Thread Straight SS316

No	Part	Material
1	Body	Stainless steel SS316
2	Bonnet	Stainless steel SS316
3	Disc	Stainless steel SS316
4	Stem	Stainless steel SS316
5	Handwheel	Cast iron
6	Glandpacking	PTFE


**Variants:**

Other dimensions/materials on request

DN	G	L	H	D	Max working-pressure		Weight Kg
					Mpa 20 °C	Mpa 180 °C	
15	1/2"	57	100	62	1,6	1,15	0,4
20	3/4"	62	100	62	1,6	1,15	0,5
25	1"	69	123	75	1,6	1,15	0,8
32	1 1/4"	79	123	75	1,6	1,15	1,1
40	1 1/2"	82	150	95	1,6	1,15	1,5
50	2"	95	170	95	1,6	1,15	2,1