



Fire Valve PN 16 Flange/Thread Straight Bronze

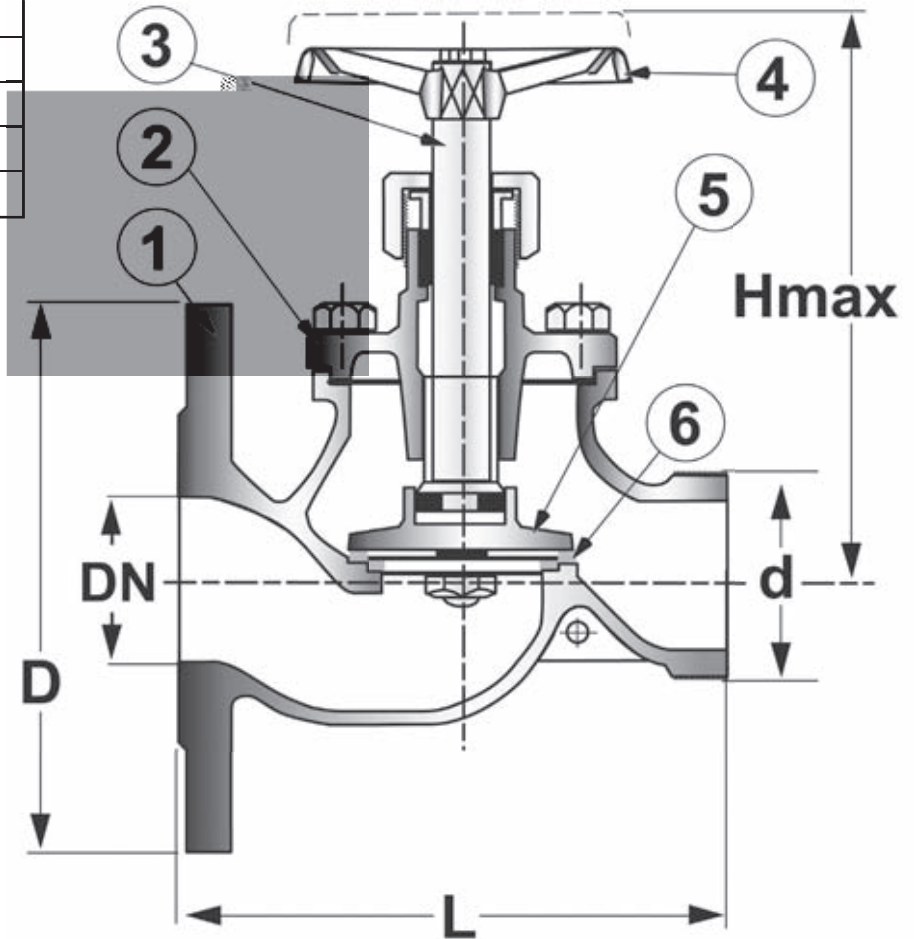
Model/Ref: 356622

*Partnership.
Without Limits.*

www.lauridsenindustri.com

Fire Valve PN 16 Flange/Thread Straight Bronze

No	Part	Material
1	Body	Bronze Rg5
2	Bonnet	Bronze Rg5
3	Disc ring	NBR
4	Disc	Bronze Rg5
5	Stem	Special brass
6	Handwheel	Bronze Rg5



Flange drilled acc. to PN16

Variants:

With coupling

Other dimensions/materials on request

DN	d	D	L	Hmax	Max working-pressure		Weight Kg
					Mpa	90 °C	
40	1 1/2"	150	165	176	1,6		5,5
50	2"	165	165	180	1,6		6,2
65	2 1/2"	185	200	235	1,6		10,7