

762-763 VALVE WITH NA ELECTRIC ACTUATOR

CHARACTERISTICS

The 762-763+NA ball valve is dedicated to the automatic opening/shut-off of pipes carrying medium pressure unloaded industrial fluids. This full bore split body ball valve is certified by the following standards: 97/23/EC, ATEX, and Firesafe. The valve complies with the EN 558-1 series 27 face-to-face standards. The ISO 5211 pad allows a direct mounting of the NA actuator. It is perfectly suitable for an indoor or outdoor industrial use.



With NA-X

AVAILABLE ITEMS

762: 1.0619 carbon steel (A216 WCB) body

763: 1.4408 stainless steel (A351 CF8M) body

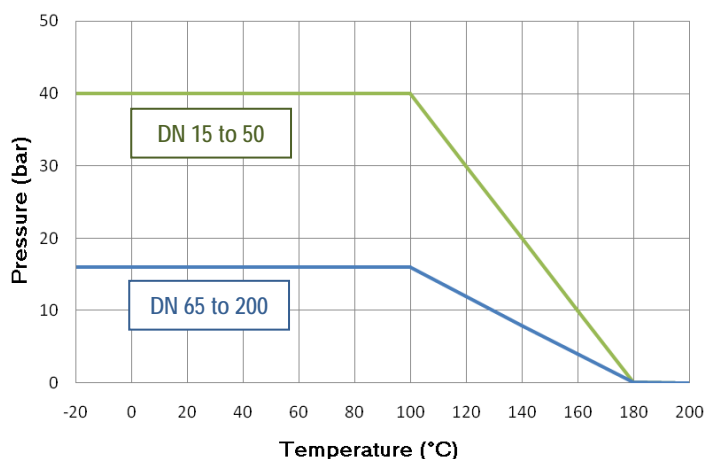
DN 15 to DN 50: Flanged connections RF PN16/40

DN 65 to DN 200: Flanged connections RF PN16

Voltages: 24 V AC/DC, 230 V AC, 3~400 V AC

LIMITS OF USE

Max. allowable pressure (PS)	DN 15 to 50: 40 bar (20 °C) DN 65 to 200: 16 bar (20 °C)
Min./max. allowable temperature (TS)	-20 °C / +200 °C
Room temperature	-20 °C / +70 °C
ATEX Zones	zone 1 or zone 2
Service	S2 – 70%



The following data is for information purpose only and may be subject to alteration without prior notice

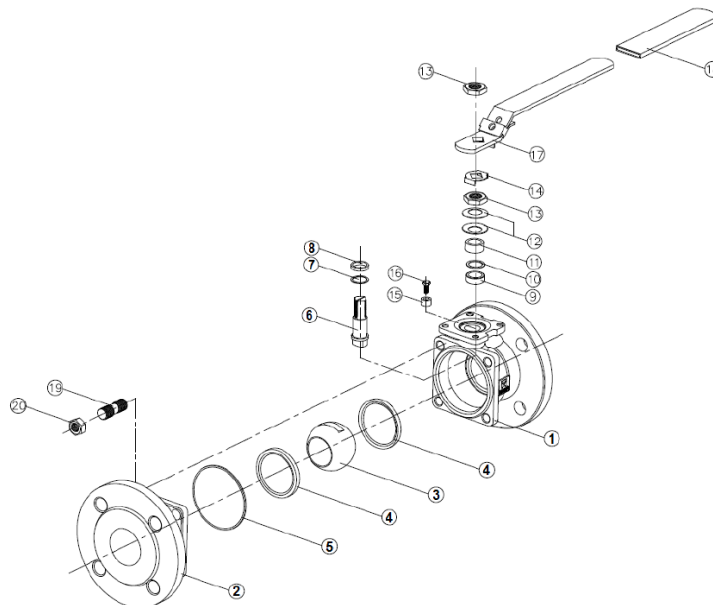
	Lauridsen industri Høgevej 9 Denmark, Esbjerg Ø 6705 Tel : +45 75 12 62 74 – M : 45 41 19 26 66 lauridsenindustri.dk /E-mail : Info@lauridsenindustri.dk	Nbr. pages	1/4
		Ref.	762+NA GB
		Rev.	1
		Date	06/2012

762-763 VALVE WITH NA ELECTRIC ACTUATOR

DIRECTIVES AND DEVELOPMENT STANDARDS


	Standard	Notified bodies		Standard
97/23/EC Pressure Equipment Directive	DN 15 and 20 : excluded		Valve testing	EN 12266
	DN 25 to 200 : category II	#0035	Material certificate	EN 10204
Shell design	EN 12516-1		Alloy grade	EN 1503-1
Flanges dimension	EN 1092-1		Face-to-face dimension	EN 558-1 series 27
Fire testing	API 607		Electric actuator	EN 12517-2
Actuator attachment	ISO 5211			
ATEX Directive	Valve		II 2G/D Tx for zones 1,2,21 and 22	
	Actuator (NA-X option)	NEMKO #0470	II 2G EEx d II B T4 for zones 1 and 2	

CONSTRUCTION



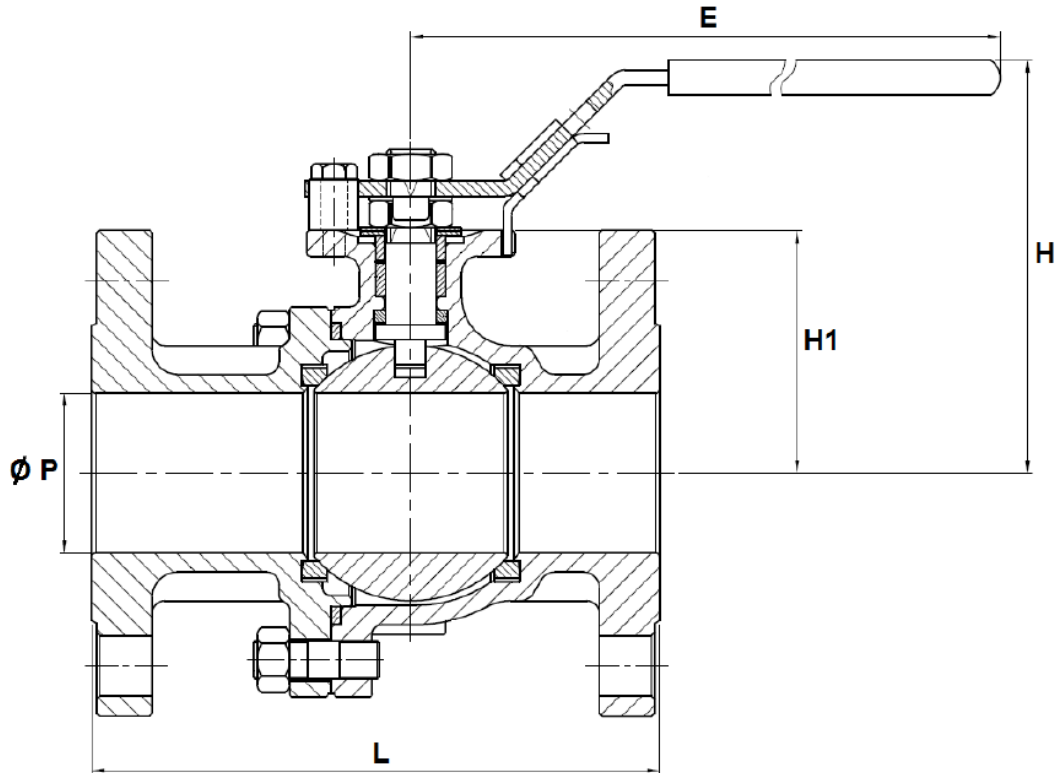
#	Item	762 CS	763 SS	#	Item	762 CS	763 SS
1	Body	Carbon steel A216 WCB	Stainless steel A351 CF8M	12	Belleville spring washers	SS 301	
2	Ends	Carbon steel A216 WCB	Stainless steel A351 CF8M	13	Nut	SS 304	
3	Ball	Stainless steel A351 CF8M		14	Locking washer	SS 304	
4	Seat	PTFE reinforced with glass		15	End stop	SS 304	
5	Body gasket	Graphite		16	End stop screw	SS 304	
6	Stem	SS ASTM A276 316		17	Handle	SS 304	
7	Ring	PTFE reinforced with carbon		18	Sleeve	PVC	
8	Ring	PTFE reinforced with carbon		19	Dowel	SS 304	
9	Gland packing	Graphite		20	Nut	SS 304	
10	Gland packing	PTFE reinforced with carbon					

The following data is for information purpose only and may be subject to alteration without prior notice

	Lauridsen industri Høgevej 9 Denmark, Esbjerg Ø 6705 Tel : +45 75 12 62 74 – M : 45 41 19 26 66 lauridsenindustri.dk /E-mail : Info@lauridsenindustri.dk	Nbr. pages	2/4
		Ref.	762+NA GB
		Rev.	1
		Date	06/2012


762-763 VALVE WITH NA ELECTRIC ACTUATOR

DIMENSIONS (mm)



DN	15	20	25	32	40	50	65	80	100	125	150	200
Ø P	15	20	24	30	38	50	64	76	98	125	150	200
L	115	120	125	130	140	150	170	180	190	325	350	400
E	158	158	196	196	245	261	400	400	400	743	743	925
H	76.5	78.1	92	96	109.1	115.6	188	194	215	239.6	256.5	323.5
H1	39	42.5	52	56	66	73	86.5	91.5	113.5	199	220	286.5
Weight (kg)	2.3	3	4	5.5	7	9.3	14.4	17.5	23.3	36.7	52	78

The following data is for information purpose only and may be subject to alteration without prior notice

	Lauridsen industri Høgevej 9 Denmark, Esbjerg Ø 6705 Tel : +45 75 12 62 74 – M : 45 41 19 26 66 lauridsenindustri.dk /E-mail : Info@lauridsenindustri.dk	Nbr. pages	3/4
		Ref.	762+NA GB
		Rev.	1
		Date	06/2012

762-763 VALVE WITH NA ELECTRIC ACTUATOR

ACTUATION WITH NA

Suggested standard NA actuation under the following conditions:

- Electric actuator with an IP 67 epoxy coated aluminium enclosure and steel gears
- A minimum 1.3 safety factor compared with the valve nominal torque rating,
- Fluid temperature below +80 °C
- A maximum pressure differential up/downstream of 10 bar (=ΔP)






Electric actuator mounted with stainless steel bracket and coupler according to the EN 15081 standard

DN	Actuator	Power	Operating Time*	
15	Refer to 762-763 + SA actuator			
20				
25				
32				
40				
				Standard equipment of the actuator
50	NA06	15 W	17 s	2 adjustable limit switches + 2 dry auxiliary switches 20 W anti-condensation heater Visual position indicator Actuator thermal cut-out (NA06 and NA09) Torque limiter (NA15 to NA38) Electrical connection: 2 gland packs M20 x 1.5 Manual override by declutchable handwheel
65	NA09	25 W	17 s	
80	NA15	40 W	20 s	
100	NA28	40 W	20 s	
125	NA28	40 W	20 s	
150	NA60	90 W	29 s	
200	NA100	180 W	29 s	

*Unloaded operating time given for information purpose only. May vary depending on the medium
For any other working conditions, please contact us.

ACTUATION OPTIONS

There are many different options, please contact our commercial department.


1	2	3	4	5
NALCU: Actuator with a local control	NAPCU: Regulation actuator 4-20 mA or 0-10 V	NARBP: Safety actuator with an integrated battery emergency shutdown	NA-X: Actuator for use in ATEX zones 1 and 2	SR: Safety spring return actuator
				
6	Electric actuator sized for a maximum pressure differential up/downstream over 10 bar (=ΔP)			
7	NA electric actuator with a declutchable manual override by handwheel			

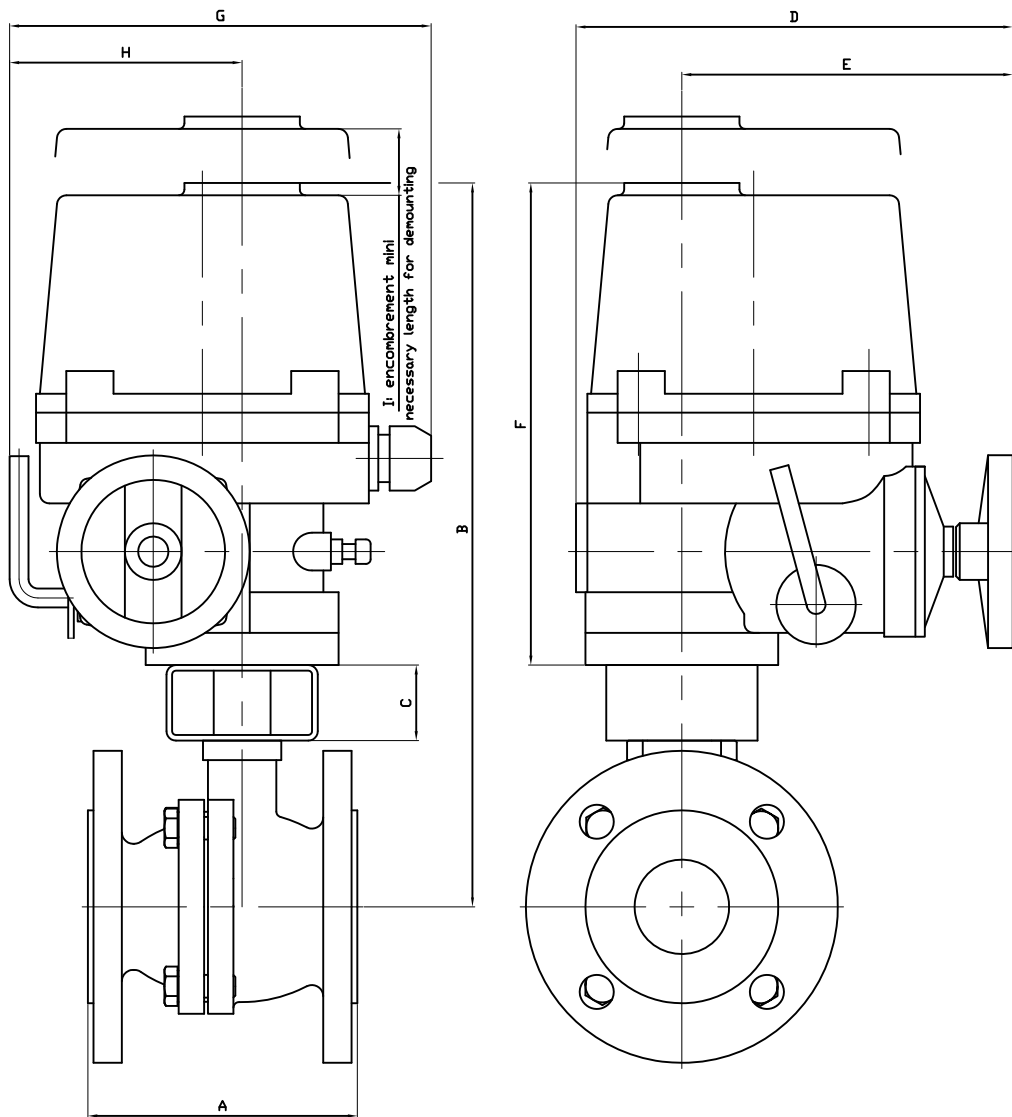
ATEX ZONES INSTALLATION

It is compulsory to specify if the installation of the automatic valve 762-763+NA-X will take place in ATEX zones 1 or 2 while making the order. Our services will proceed to the mounting check, to a grounding strip installation and will edit a mounting certificate. Those operations are performed by our proper engineers. Please contact us for further details. It is also compulsory to follow the ATEX zone mounting and maintenance special instructions for motorized valves. The ATEX gland packs and sealing plugs are not provided. Please use the following codes:


ATEX aluminium gland pack M20x1.5	Code 980179	ATEX aluminium sealing plugs M20x1.5	Code 980180
-----------------------------------	-------------	--------------------------------------	-------------

The following data is for information purpose only and may be subject to alteration without prior notice

	Lauridsen industri Høgevej 9 Denmark, Esbjerg Ø 6705 Tel : +45 75 12 62 74 – M : 45 41 19 26 66 lauridsenindustri.dk /E-mail : Info@lauridsenindustri.dk	Nbr. pages	4/4
		Ref.	762+NA GB
		Rev.	1
		Date	06/2012



DN	50	65	80	100	125	150	200
NA	06	09	15	28	28	60	100
A	150	170	180	190	325	350	457
B	388	421.5	426.5	495.5	549	613	857
C	60	80	80	80	100	100	100
D	231	231	261	285	285	325	325
E	175	175	184	202	202	226	226
F	255	255	255	302	302	343	556
G	223	223	266	300	300	349	349
H	113	113	113	139	159	159	159
I	108	108	108	130	130	130	178
KG	20.8	26.7	30.8	41.6	55.6	75.9	106.3

				Remotorisation - Ajout poids	12/11/2012	A
Ech/	Date :02/10/2006	Dessiné par : LL	Tolérances générales : +/- 0.2	Modifications	Date	REV.
762-763HTM/BALL VALVE 762-763HTM + SERVOMOTEUR NA/ELECTRIC ACTUATOR NA				Matière :		
				Poids <Kg> :		
 Lauridsen industri Høgevej 9 Denmark, Esbjerg Ø 6705 Tel : +45 75 12 62 74 - M : +45 41 19 26 66 lauridsenindustri.dk /E-mail : Info@lauridsenindustri.dk				Traitement : SANS		
				Plan n° Ens 987A		

ELECTRIC ACTUATOR TYPE NA / NA-X

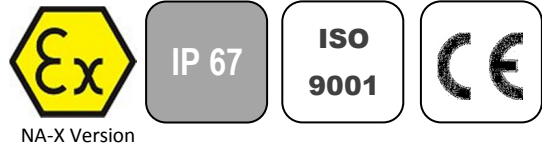
GENERAL CHARACTERISTICS

The NA electric actuator is dedicated to the actuation of industrial ¼ turn valve. The maximum torque value is 2500 Nm. With a compact design, an IP 67 cast aluminium enclosure and an epoxy protection, the NA electric actuator is especially adapted to the actuation of ball valves and butterfly valves in dusty outdoor or indoor areas. It is equipped with a declutchable manual override and a torque limiter (except on NA06 and NA09). Many options are available. The NA-X version can be used in explosive areas 1 and 2 and complies with the EN 15714-2 standard.

AVAILABLE MODELS

NA06: 60 Nm to NA250: 2500 Nm

Voltage: 230 V AC, 400 V AC, 24 V AC, 24 V DC



LIMITS OF USE

Version	NA	NA-X
Protection rating	IP 67	
Temperature range	-20 °C / +70 °C	-20 °C / +55 °C
Service	S2-70%	
Explosive areas	Forbidden	Zone 1 and 2



MECHANICAL CHARACTERISTICS

Gears	Treated steel pinions
Rotation angle	90° +/- 5°
Declutching	Lever
Manual override	Handwheel
Torque limiter	Except for NA06 and NA09

Electric actuator	NA06	NA09	NA15	NA28	NA38	NA60	NA100	NA150	NA200	NA250
Torque	60 Nm	90 Nm	150 Nm	280 Nm	380 Nm	600 Nm	1000 Nm	1500 Nm	2000 Nm	2500 Nm
Operating time	17 s	17 s	20 s	24 s	24 s	29 s	29 s	87 s	87 s	87 s
ISO 5211 pad	F07	F07	F07/F10	F10/F12	F10/F12	F12/F14	F12/F14	F14/F16	F14/F16	F14/F16
Star drive nut	17	17	17	22	27	27	27	36	36	46

DIRECTIVES AND DEVELOPMENT STANDARDS APPLICABLE

Machine 2006/42/EC	Actuator attachments : ISO 5211
Low Voltage Directive 2006/95/EC	Electromagnetic compatibility 2004/108/EC
ATEX 1994/9/EC: ATEX II 2 G EEx d II B T4 – NEMKO 03ATEX1342X (NA-X electric actuator only)	

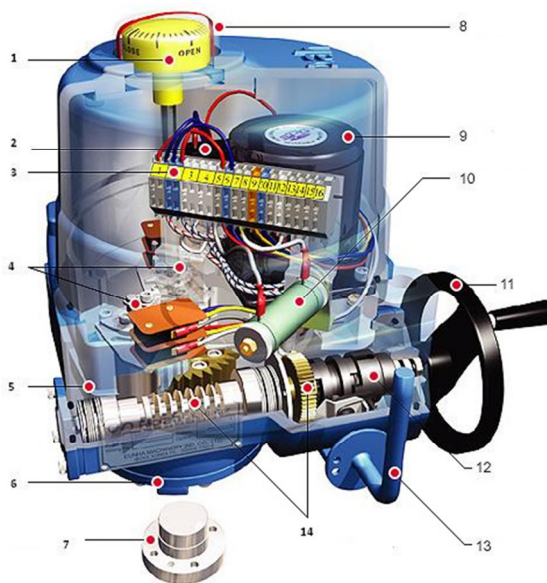
The following data is for information purpose only and may be subject to alteration without prior notice

	Lauridsen industri Høgevej 9 Denmark, Esbjerg Ø 6705 Tel : +45 75 12 62 74 – M : 45 41 19 26 66 lauridsenindustri.dk /E-mail : Info@lauridsenindustri.dk	Pages	1/4
		Ref.	FT23110 GB
		Rev.	5
		Date	06/2012

ELECTRIC ACTUATOR TYPE NA / NA-X

CONSTRUCTION

1	Position indicator	Polycarbonate
2	Condenser	
3	Terminal block	
4	Limit switches	
5	Body / cover	Aluminium alloy
6	Base / enclosure	Aluminium alloy
7	Drive nut	Steel
8	Dome	Polycarbonate
9	Electric motor	
10	Anti-condensation heater	
11	Handwheel	Steel
12	Manual override	Steel
13	Declutching lever	Steel
14	Worm gear	Steel



ELECTRICAL CHARACTERISTICS

Motor Protection	Thermal cut-out		Anti-condensation		20 W heater					
Limit switches	2 adjustable switches		Electrical connection		2 gland packs M20x1.5					
Auxiliary switches	2 dry adjustable switches									
Electric actuator	NA06	NA09	NA15	NA28	NA38	NA60	NA100	NA150	NA200	NA250
Power	15 W	25 W	40 W	40 W	60 W	90 W	180 W	98 W	180 W	180 W
Voltage	380 V – 50 Hz									
Hold current	0.13 A	0.18 A	0.3 A	0.3 A	0.33 A	0.52 A	0.73 A	0.52 A	0.73 A	0.73 A
Inrush current	0.23 A	0.36 A	0.59 A	0.74 A	0.78 A	1.24 A	1.68 A	0.78 A	1.68 A	1.68 A
Voltage	220 V – 50 Hz									
Hold current	0.45 A	0.58 A	0.95 A	0.95 A	1.3 A	1.5 A	2.15 A	1.5 A	2.15 A	2.15 A
Inrush current	0.63 A	0.89 A	1.12 A	1.37 A	1.85 A	2.34 A	3.4 A	2.34 A	3.4 A	3.4 A
Voltage	24 V – 50 Hz									
Hold current	3.2 A	4.3 A	6.5 A	8.1 A						
Inrush current	6 A	8 A	12 A	14 A						
Voltage	24 V DC									
Hold current	2.2 A	3.5 A	4.5 A	6.5 A						
Inrush current	4.1 A	4.1 A	6.6 A	13.8 A						

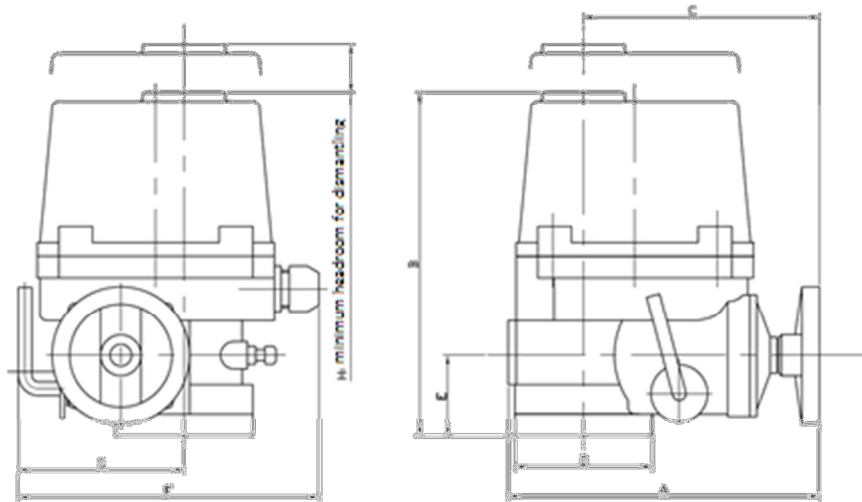
The following data is for information purpose only and may be subject to alteration without prior notice

	Lauridsen industri Høgevej 9 Denmark, Esbjerg Ø 6705 Tel : +45 75 12 62 74 – M : 45 41 19 26 66 lauridsenindustri.dk /E-mail : Info@lauridsenindustri.dk	Pages	2/4
		Ref.	FT23110 GB
		Rev.	5
		Date	06/2012

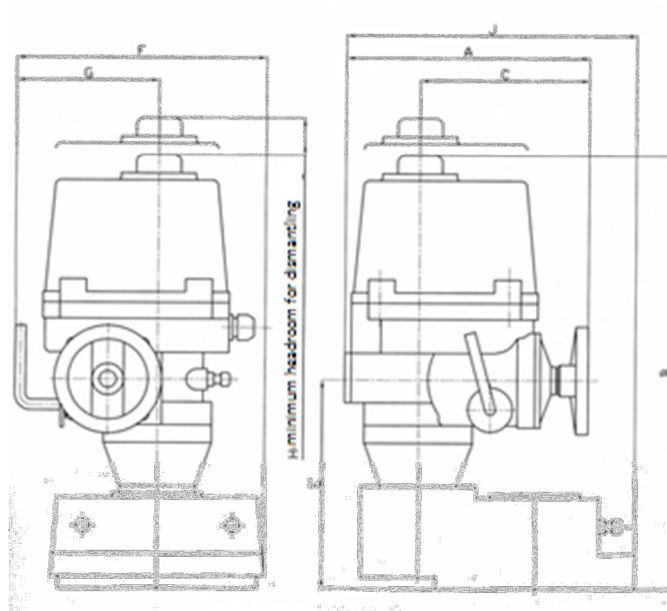
ELECTRIC ACTUATOR TYPE NA / NA-X

DIMENSIONS (mm)

NA06 to NA100




NA150 to NA250



NA	A	B	C	D	E	F	G	H
NA06 - NA09	231	255	175	102	60	223	113	108
NA15	261	255	184	120	60	266	139	108
NA28 - NA38	285	302	202	145	70	300	159	130
NA60 - NA100	325	343	226	175	78	349	191	178
NA150 - NA200 - NA250	325	556	226	-	273	388	191	178

The following data is for information purpose only and may be subject to alteration without prior notice


	Lauridsen industri Høgevej 9 Denmark, Esbjerg Ø 6705 Tel : +45 75 12 62 74 – M : 45 41 19 26 66 lauridsenindustri.dk /E-mail : Info@lauridsenindustri.dk	Pages	3/4
		Ref.	FT23110 GB
		Rev.	5
		Date	06/2012

ELECTRIC ACTUATOR TYPE NA / NA-X

OPTIONS

1	NAPIU : feedback potentiometer version
2	NACPT: 4-20 mA position transmitter version
3	NAPCU: 0-10, 2-10 V, 2-20 mA, 4-20 mA regulation card version
4	NALCU: local control version
5	NARBP: integrated battery emergency shutdown device version
6	Earthquake simulation test
7	Low temperature version (-40 °C)
8	IP 68 version
9	Rotation angles 120°, 135°, 180°, 270°

The following data is for information purpose only and may be subject to alteration without prior notice

 Lauridsen industri	Lauridsen industri Høgevej 9 Denmark, Esbjerg Ø 6705 Tel : +45 75 12 62 74 – M : 45 41 19 26 66 lauridsenindustri.dk /E-mail : Info@lauridsenindustri.dk	Pages	4/4
		Ref.	FT23110 GB
		Rev.	5
		Date	06/2012