

1150-1158 BUTTERFLY VALVES + SF LIMIT SWITCH BOX

CHARACTERISTICS

The butterfly valves 1150 to 1158 are dedicated to the manual shut-off of various fluid pipes with a direct viewing of the position and information feedback to the control panel. It has a ductile iron body. Thanks to various material possibilities for both the butterfly and the sleeve, it can be used in different applications. The wafer type body enables the mounting between PN10/16 or ANSI 150 flanges. The SF limit switch box has 2 dry contacts as standard equipment. Its IP 67 tightness permits the installation of the device indoor or outdoor. Various contacts and detectors are available as options.



LIMITS OF USE

Max. allowable pressure (PS)	16 bar until DN 200 10 bar until DN 400
Min. / max. allowable temperature (TS)	According to the below chart
Room temperature	-15 °C / +80 °C
Protection	IP 67



AVAILABLE ITEMS

DN 32-40 to DN 400

Flanged connections RF PN10/16 and ANSI 150

Electrical connections 2 x M20x1.5

Ref.	Butterfly	Sleeve	Application examples	Min. TS	Max. TS
1141	Ductile iron	NBR	Natural gas –NF-ROB GAZ 5 bar Certification	-10 °C	+60 °C
1147	Stainless steel 316	Carboxylated NBR.	Powdery – abrasive material	-10 °C	+80 °C
1150	Ductile iron	EPDM	Cold water – warm water (max 110 °C) - ACS	-10 °C	+90 °C
1151	Stainless steel 316	NBR	Hydrocarbons, natural gas, compressed air	-10 °C	+80 °C
1152	Ductile iron	NBR	Hydrocarbons, natural gas, compressed air	-10 °C	+80 °C
1153	Stainless steel 316	EPDM	Demineralised water – Alkaline materials (max 110 °C) - ACS	-10 °C	+90 °C
1154	Stainless steel 316	FKM	Compatible aggressive fluids, oil	-5 °C	+150 °C
1156	Stainless steel 316	White NBR	Compatible aggressive fluids	-10 °C	+80 °C
1157	Stainless steel 316	Silicone	Oils and greases	-15 °C	+150 °C
1157A	Polished Stainless steel	Food grade silicone	Food fluids (FDA certification)	-15 °C	+150 °C
1158	Aluminium bronze	NBR	Sea water	-10 °C	+80 °C

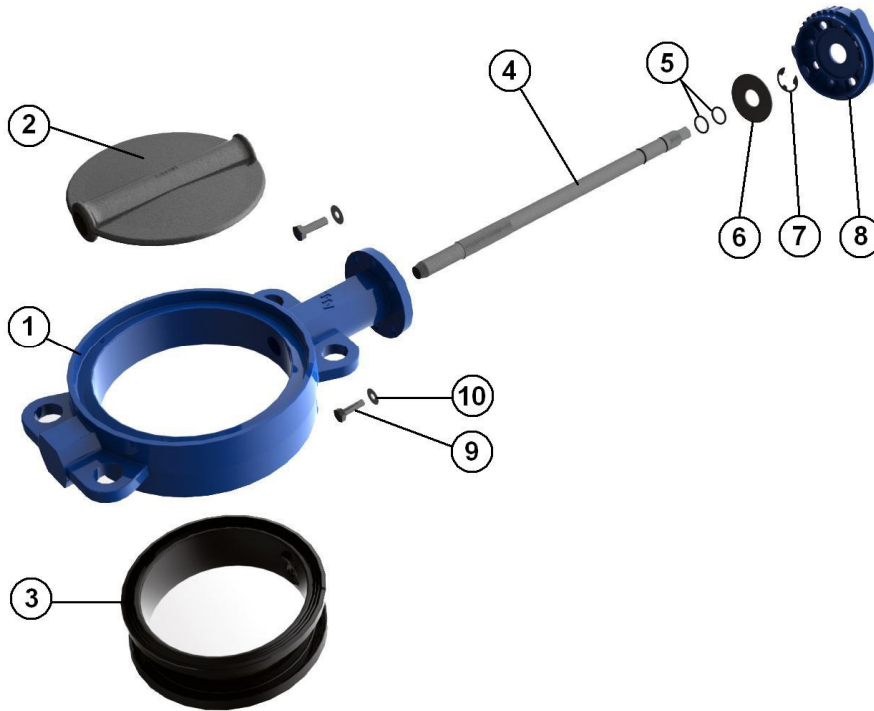
Technical data given for information purpose only. May be subject to alteration without prior notice

	Lauridsen industri Høgevej 9 Denmark, Esbjerg Ø 6705 Tel : +45 75 12 62 74 – M : 45 41 19 26 66 lauridsenindustri.dk /E-mail : Info@lauridsenindustri.dk	Nbr. pages	1/3
		Ref.	1150+SF GB
		Rev.	0
		Date	04/2012

1150-1158 BUTTERFLY VALVES + SF LIMIT SWITCH BOX

DIRECTIVES AND DEVELOPMENT STANDARDS APPLICABLE


	Standard	Notified bodies		Standard
97/23/EC Pressure Equipment Directive	Cat. III modules B+C1	#0409	Valve testing	ISO 5208
ATEX Directive	II 2G/D Tx zones 1, 2, 21 and 22	#0038	Face-to-face dimension	ISO 5752 series 20
Sanitary compliance	ACS # 07 ACC LY 504		Flanges dimensions	EN 1092-1



CONSTRUCTION

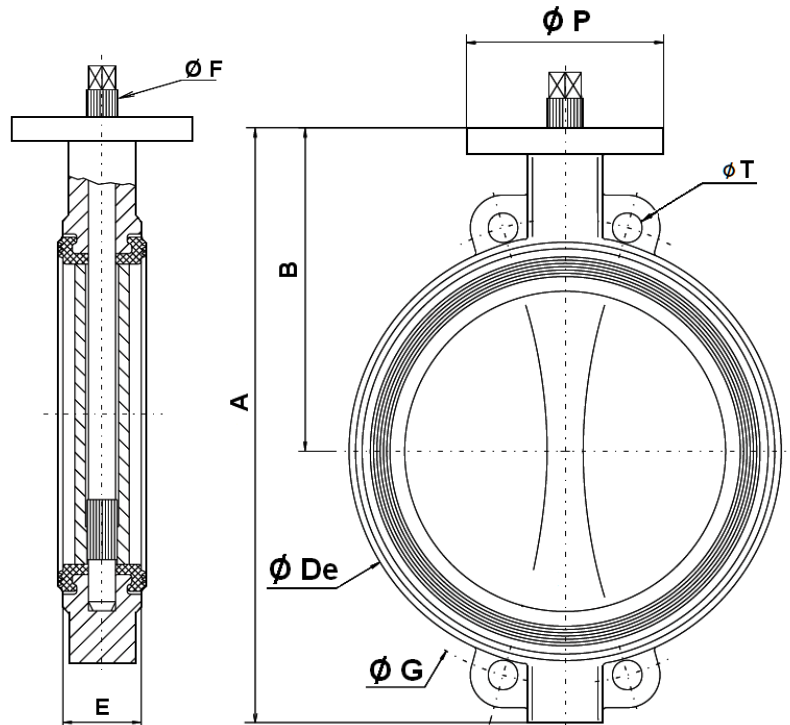
#	Item	1147	1150	1151	1152	1153	1154	1156	1157	1158
1	Body	Ductile iron GS EN GJS-500-7								
2	Butterfly DN32-100	Stainless steel A351 CF8M /1.4408								
3	Butterfly DN125-400	Stainless steel	Ductile iron GS EN GJS-500-7			Stainless steel A351 CF8M /1.4408				Aluminium bronze
3	Sleeve	NBR C.	EPDM	NBR	NBR	EPDM	FKM	White NBR	Silicone	NBR
4	Stem	SS 304	SS 420	SS 304	SS 420	SS 304	SS 304	SS 304	SS 304	SS 304
5	O-ring	NBR	EPDM	NBR	NBR	EPDM	FKM	NBR	EPDM	NBR
6	Ring	Steel								
7	Securing rings / Circlips	Steel								
8	ISO pad	Aluminium								
9	Screw	Steel 5.6								
10	Washer	Steel								

Technical data given for information purpose only. May be subject to alteration without prior notice

	Lauridsen industri Høgevej 9 Denmark, Esbjerg Ø 6705 Tel : +45 75 12 62 74 – M : 45 41*19 26 66 lauridsenindustri.dk /E-mail : Info@lauridsenindustri.dk	Nbr. pages	2/3
		Ref.	1150+SF GB
		Rev.	0
		Date	04/2012

1150-1158 BUTTERFLY VALVES + SF LIMIT SWITCH BOX

DIMENSIONS (mm)




DN	32-40	50	65	80	100	125	150	200	250	300	350	400
A	206	228	243	266	294	324	349	438	461	523	582	645
B	140	156	162	170	185	207	216	256	248	280	300	340
Ø De	82	102	119	135	155	185	208	270	328	381	437	486
E	33	43	46	46	52	56	56	60	68	78	78	102
Ø F	10.5	10.5	14.5	16.5	16.5	18.5	18.5	22.5	25.5	30.5	30.5	35.5
Ø G	110	125	145	160	180	210	240	295	350	400	460	515
Ø P	88	88	88	88	88	105	105	105	150	150	170	170
Ø T	18	18	18	18	18	18	23	23	23	23	23	17
Weight (kg)	2.46	3.66	4.40	4.60	6	7.60	9.20	14.7	24.7	33	39	52

FLOW FACTOR Kv (m³/h)

DN	32-40	50	65	80	100	125	150	200	250	300	350	400
Kv	70	109	200	334	551	901	1427	2383	3825	5659	8177	10659

Technical data given for information purpose only. May be subject to alteration without prior notice

	Lauridsen industri Høgevej 9 Denmark, Esbjerg Ø 6705 Tel : +45 75 12 62 74 – M : 45 41*19 26 66 lauridsenindustri.dk /E-mail : Info@lauridsenindustri.dk	Nbr. pages	3/3
		Ref.	1150+SF GB
		Rev.	0
		Date	04/2012