



LAURIDSEN industri



Model/Ref: 1612-1625



*Partnership.
Without Limits.*



STAINLESS STEEL BOX PRESSURE GAUGE WITH GLYCERINE

Size : Diameter 50 to 100
Ends : Male BSP
Min Temperature : + 0°C
Max Temperature : + 60°C
Max Pressure : from -1 to 600 Bars
Specifications : Stainless steel box
Brass mechanism
Brass fitting
Plexiglas glass

Materials : SS 304 box

STAINLESS STEEL BOX PRESSURE GAUGE WITH GLYCERINE

SPECIFICATIONS :

- SS 304 box
- Brass mechanism
- Brass fitting
- With glycerine
- 1 Class for diameter 100
- 1.6 Class for diameter 63
- 2.5 Class for diameter 50
- Protection IP65
- Bottom connection BSP threaded
- Bar / Psi graduation
- With vent security for diameter 100 (Ref.1615 and 1625)

USE :

- Not for viscous or crystallizing liquid
- Hydraulic, Compressed air and shipbuilding
- Min and max Temperature Ts : 0°C to +60°C

RANGE :

- Ø 50 with bottom connection 1/4" , range -1/+1 to 0/60 bars
- Ø 63 with bottom connection 1/4" , range -1/+1 to 0/600 bars and range -15/+15 to 0/9000 psi
- Ø 100 with bottom connection 1/2" , range -1/+1 to 0/600 bars
- Ø 50 with back connection 1/4" , range -1/+1 to 0/60 bars
- Ø 63 with back connection 1/4" , range -1/+1 to 0/600 bars and range -15/+15 to 0/9000 psi
- Ø 100 with back connection 1/2" , rang -1/+1 to 0/16 bars

ACCESSORIES :



- Stainless steel flange with 3 holes at 120° for bottom connection type
 - Ø 63
 - Ø 100



- Stainless steel flange with 3 holes at 120° for back connection type
 - Ø 63
 - Ø 100



- Steel support with screws
 - Ø 50
 - Ø 63
 - Ø 100



- Copper curl PN25 Male / Female BSP
 - DN 1/4"
 - DN 1/2"



- SS curl PN20 Male / Female BSP
 - DN 1/4"
 - DN 1/2"

STAINLESS STEEL BOX PRESSURE GAUGE WITH GLYCERINE

ACCESSORIES (SUITE) :



- Carbon steel curl PN25 Male / Male BSP
 - DN 1/4"
 - DN 1/2"

- Carbon steel curl PN25 U type Male / Male BSP
 - DN 1/4"
 - DN 1/2"

GRADUATIONS :

	0 0 0 0 0 0 0 0 0 0	0 0 0 0 0 0 0 0 0 0
0 0 0 0	0 0 0 0	0 0 0 0
0 0 0 0	0 0 0 0	0 0 0 0
0 0 0 0	0 0 0 0	0 0 0 0
0 0 0 0	0 0 0 0	0 0 0 0
0 0 0 0	0 0 0 0	0 0 0 0
0 0 0 0	0 0 0 0	0 0 0 0
0 0 0 0	0 0 0 0	0 0 0 0
0 0 0 0	0 0 0 0	0 0 0 0
0 0 0 0	0 0 0 0	0 0 0 0
0 0 0 0	0 0 0 0	0 0 0 0
0 0 0 0	0 0 0 0	0 0 0 0
0 0 0 0	0 0 0 0	0 0 0 0
0 0 0 0	0 0 0 0	0 0 0 0
0 0 0 0	0 0 0 0	0 0 0 0
0 0 0 0	0 0 0 0	0 0 0 0
0 0 0 0	0 0 0 0	0 0 0 0
0 0 0 0	0 0 0 0	0 0 0 0
0 0 0 0	0 0 0 0	0 0 0 0
0 0 0 0	0 0 0 0	0 0 0 0
0 0 0 0	0 0 0 0	0 0 0 0
0 0 0 0	0 0 0 0	0 0 0 0

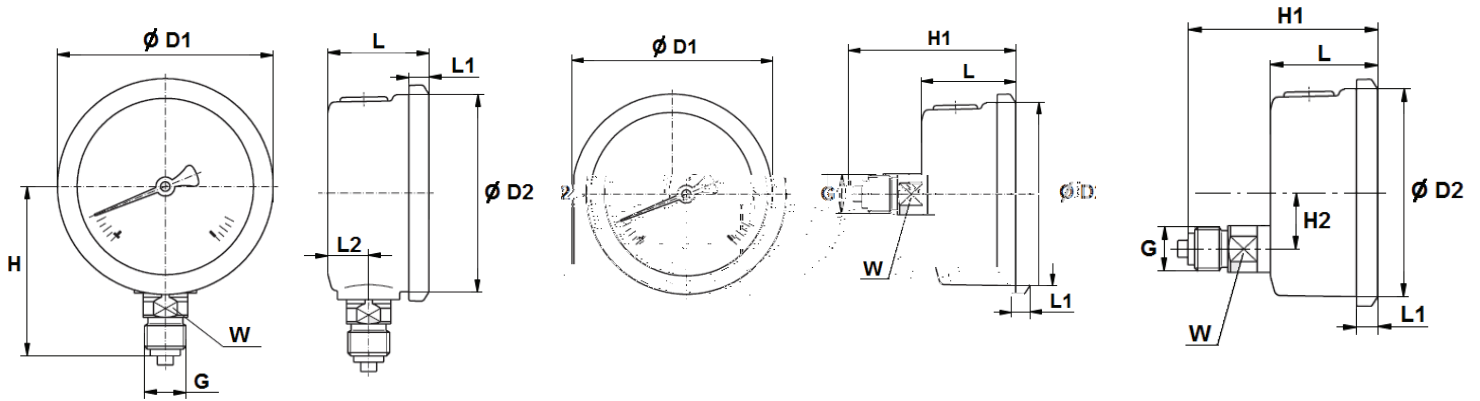
	0 0 0 0 0 0 0 0 0 0		
0 0 0 0	0 0 0 0	0 0 0 0 0 0	0 0 0 0
0 0 0 0	0 0 0 0	0 0 0 0	0 0 0 0
0 0 0 0	0 0 0 0	0 0 0 0	0 0 0 0
0 0 0 0	0 0 0 0	0 0 0 0	0 0 0 0
0 0 0 0	0 0 0 0	0 0 0 0	0 0 0 0
0 0 0 0	0 0 0 0	0 0 0 0	0 0 0 0
0 0 0 0	0 0 0 0	0 0 0 0	0 0 0 0
0 0 0 0	0 0 0 0	0 0 0 0	0 0 0 0
0 0 0 0	0 0 0 0	0 0 0 0	0 0 0 0
0 0 0 0	0 0 0 0	0 0 0 0	0 0 0 0
0 0 0 0	0 0 0 0	0 0 0 0	0 0 0 0
0 0 0 0	0 0 0 0	0 0 0 0	0 0 0 0
0 0 0 0	0 0 0 0	0 0 0 0	0 0 0 0
0 0 0 0	0 0 0 0	0 0 0 0	0 0 0 0
0 0 0 0	0 0 0 0	0 0 0 0	0 0 0 0
0 0 0 0	0 0 0 0	0 0 0 0	0 0 0 0
0 0 0 0	0 0 0 0	0 0 0 0	0 0 0 0
0 0 0 0	0 0 0 0	0 0 0 0	0 0 0 0
0 0 0 0	0 0 0 0	0 0 0 0	0 0 0 0
0 0 0 0	0 0 0 0	0 0 0 0	0 0 0 0

MATERIALS :

Box	SS 304
Fitting	Brass
Mechanism	Brass
Dial	Duralumin
Glass	Plexiglass
Needle Ø50 and Ø63	Steel
Needle Ø100	Duralumin

STAINLESS STEEL BOX PRESSURE GAUGE WITH GLYCERINE

SIZE (in mm) :



ϕ			
ϕ			

STAINLESS STEEL BOX PRESSURE GAUGE WITH GLYCERINE**STANDARDS :**

- Fabrication according to ISO 9001 : 2008
- Designing according to EN 837-1
- DIRECTIVE 97/23/CE : Products excluded from directive (article 3, § 3)
- Threaded male BSP cylindrical ends according to ISO 228-1