



513-514 VALVES WITH SA05 ACTUATOR

Model/Ref: 275010023000



*Partnership.
Without Limits.*

www.lauridsenindustri.com

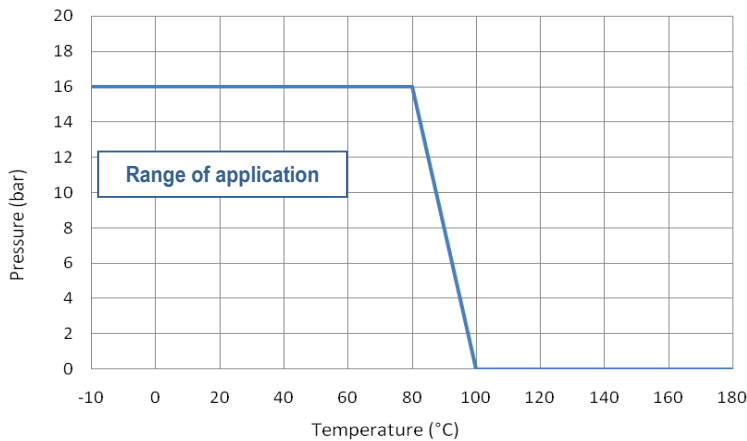
513-514 VALVES WITH SA05 ACTUATOR

The 513+SA05 L-port and 514+SA05 T-port stainless steel 3-way ball valves are dedicated to the mixing, diverting or automatic discharging of industrial unloaded fluids. It is a reduced bore ball valve. With EC and the French ACS certification, it is suitable for drinking water applications. The ISO 5211 pad allows a direct mounting of the SA actuator. It is perfectly suitable for an indoor or outdoor industrial use.

Brass body – reduced bore
 Size ¼" to 2"
 BSP threaded connections
 Voltage: 24 V DC, 24 V AC and 230 V AC



	16 bar
	-10 °C / +100 °C
	-10 °C / +70 °C
	S2 – 50%

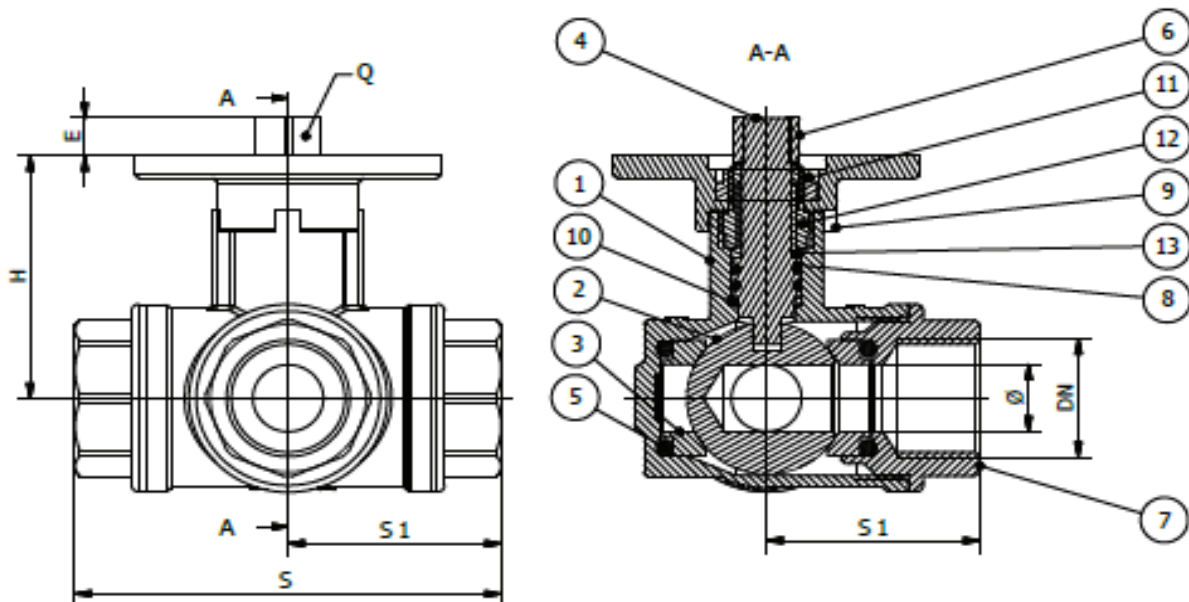


97/23/EC Pressure Equipment Directive	¼" to 1" : excluded		Actuator attachments	ISO 5211
	1" ¼ to 2" : category II	PASCAL#1115		
Drinking water application	ACS 08 ACC LY 074	CARSO		

The following data is for information purpose only and may be subject to alteration without prior notice

513-514 VALVES WITH SA05 ACTUATOR

Body	CW 617N brass		O-ring	FKM
Ball	CW 614N brass		ISO pad 5211	CW 617N brass
Seat	PTFE		Anti-friction ring	PTFE
Stem	CW 614N brass		Nut	CW 614N brass
O-ring	FKM		Nut	CW 614N brass
Square drive	CW 614N brass		Anti-friction sleeve	PTFE
End	CW 617N brass			



S	76	78	82	90	106	120	142	165
S1	38	39	41	45	53	60	71	82,5
∅	10	10	10	15	20	25	32	40
P	18	18	17	18,5	20	23,5	28,5	32
H	50,5	50,5	50,5	53,5	63	67	73	80
E	8	8	8	10	10	12	12	12
Q	11	11	11	11	11	14	14	14
ISO	F05	F05	F05	F05	F05	F05	F05/F07	F05/F07

The following data is for information purpose only and may be subject to alteration without prior notice

513-514 VALVES WITH SA05 ACTUATOR

Suggested standard SA actuation under the following conditions:




- Electric actuator with an IP 67 epoxy coated aluminium enclosure and steel gears
 - A minimum 1.3 safety factor compared with the valve nominal torque rating,
 - A maximum pressure differential up/downstream of 10 bar (=ΔP)
- Direct mounting of the electric actuator

¼"	SA05	6 W	23 mA	1.8 mA	17 s	2 adjustable limit switches 2 dry auxiliary switches 2 W anti-condensation heater Actuator thermal cut-out Manual override by key Backlit position indicator Electrical connection: 2 gland packs. M20x1.5
3/8"	SA05	6 W	23 mA	1.8 mA	17 s	
½ "	SA05	6 W	23 mA	1.8 mA	17 s	
¾ "	SA05	6 W	23 mA	1.8 mA	17 s	
1"	SA05	6 W	23 mA	1.8 mA	17 s	
1" ¼	SA05	6 W	23 mA	1.8 mA	17 s	
1" ½	SA05	6 W	23 mA	1.8 mA	17 s	
2"	SA05	6 W	23 mA	1.8 mA	17 s	

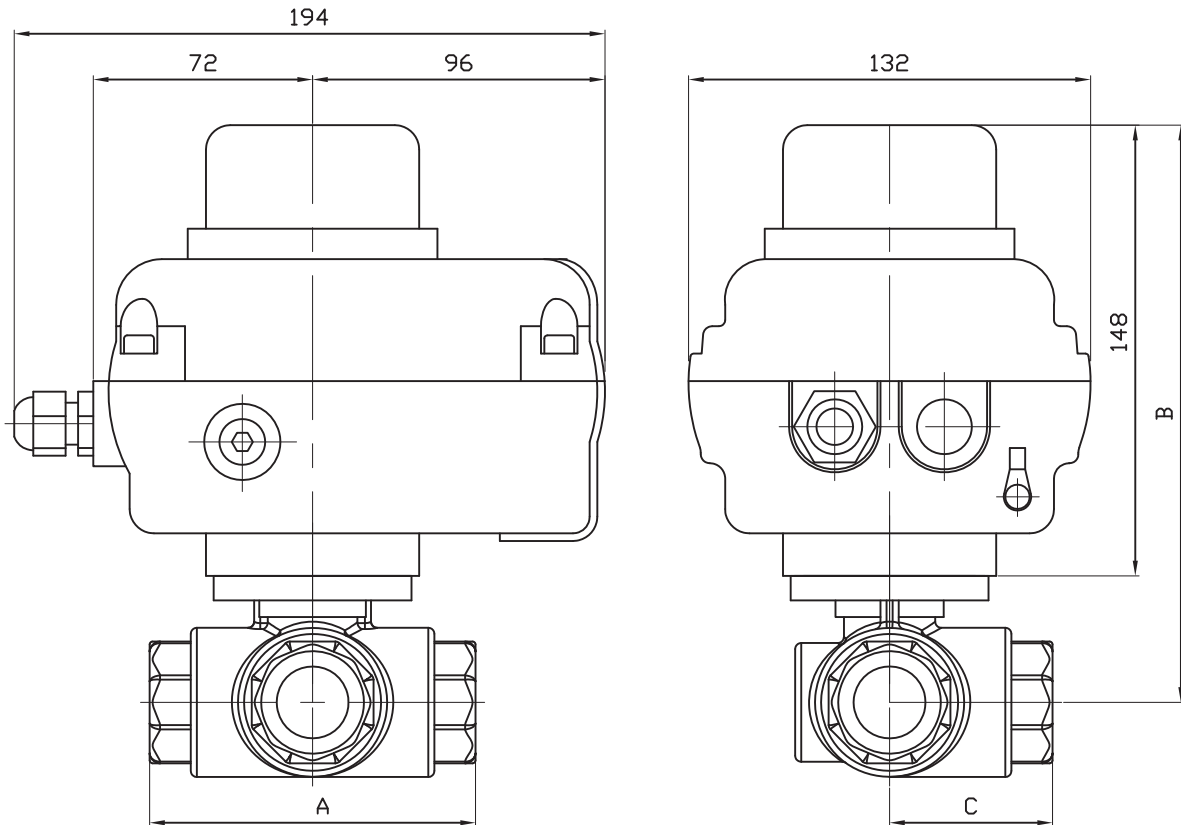
*Unloaded operating time given for information purpose only. May vary depending on the medium

For any other working conditions, please contact us.

There are many different options, please contact our commercial department.

SA05S: Slow closing electric actuator 70 s	SA05PCU: Regulation actuator 4-20 mA or 0-10 V	SA05RBP: Safety actuator with an integrated battery emergency shutdown
		
	SAPUI electric actuator with feedback potentiometer	
	100 mm stem extension for pipe insulation (see 500HC model)	
	Electric actuator sized for a maximum pressure differential up/downstream over 10 bar (=ΔP)	
	NA electric actuator with a declutchable manual override by handwheel	

The following data is for information purpose only and may be subject to alteration without prior notice

513-514 VALVES WITH SA05 ACTUATOR


DN	1/4"	3/8"	1/2"	3/4"	1"	1 1/4"	1 1/2"	2"
A	76	78	82	90	106	120	142	165
B	198.5	198.5	198.5	201.5	211	215	221	228
C	38	39	41	45	53	60	71	82.5
KG	3.58	3.58	3.58	3.73	4.25	4.73	7	8.8

The following data is for information purpose only and may be subject to alteration without prior notice

513-514 VALVES WITH SA05 ACTUATOR

The SA05 electric actuator is dedicated to the actuation of industrial ¼ turn valve. The torque value is 50 Nm. With a compact design, an IP 67 cast aluminium enclosure and an epoxy protection, the SA electric actuator is especially adapted to the actuation of ball valves and butterfly valves in outdoor or indoor areas. The SA05 is equipped with a visual 3D position indicator and a manual override driven by an Allen key. It complies with the EN 15714-2 standard.

Voltage: 230 V AC (50-60 Hz), 24 V AC/DC and 12 V DC

IP 67

ISO
9001



	IP 67
	-20 °C / +70 °C
	S2 - 70%



	Treated steel pinions
	50 Nm
	90° +/-5°
	N/A
	Allen key (except for SA05S)

	SA05			SA05S	
	230 V AC	24 V AC/DC	12 V DC	230 V AC	24 V AC/DC
	50 Nm				
	17 s	17 s	17 s	100 s	100 s
	F03/F05/F17 star 14				

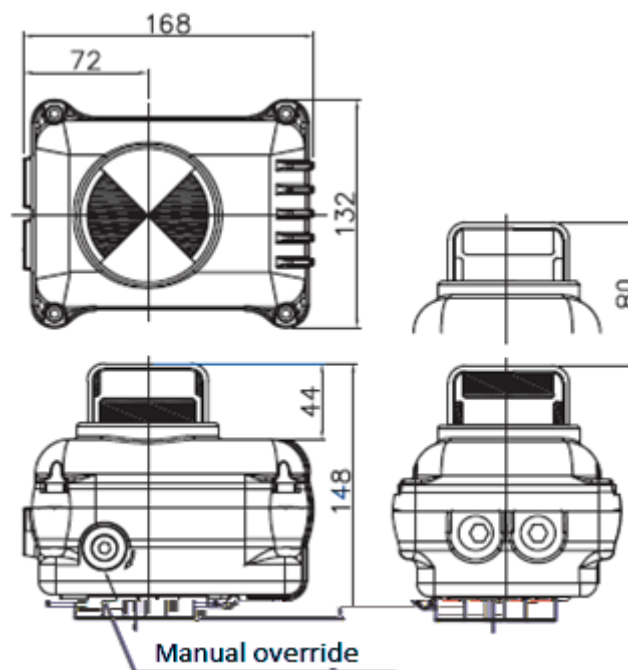
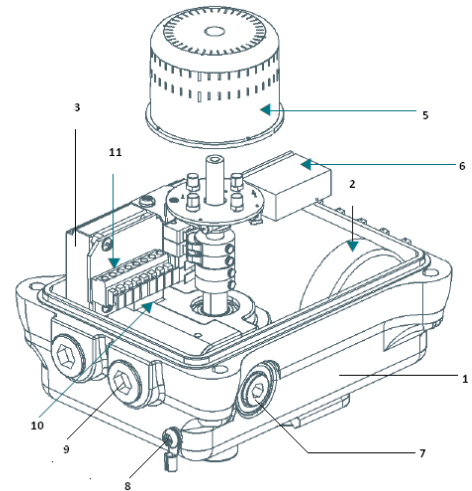
	Thermal cut-out		2 W heater
	2 adjustable switches		2 gland packs M20x1.5
	2 adjustable dry switches		

	SA05			SA05S	
	230 V AC	24 V AC/DC	12 V DC	230 V AC	24 V AC/DC
	6 W	15 W	15 W	6 W	6 W
	0.24 A	1.8 A	3.6 A	0.24 A	1.8 A

The following data is for information purpose only and may be subject to alteration without prior notice

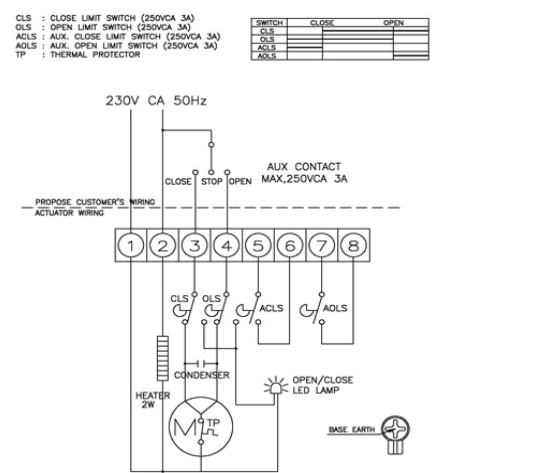
513-514 VALVES WITH SA05 ACTUATOR

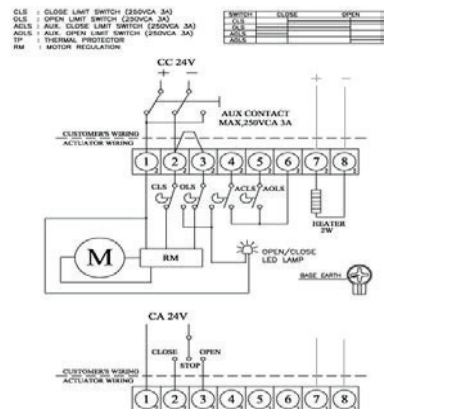
Enclosure	Polyester coated aluminium
Electric motor	
Gear	Treated steel pinions
Cover	Polyester coated aluminium
Position indicator	Polycarbonate plastic
Condenser	
Manual override	
Connection to ground	
Cable inlet	
Anti-condensation heater	
Terminal block	



The following data is for information purpose only and may be subject to alteration without prior notice

513-514 VALVES WITH SA05 ACTUATOR

Common	
Anti-condensation heater	
Closing control	
Opening control	
Auxiliary switch closing	
Auxiliary switch closing	
Auxiliary switch opening	

Common or +	
Closing control	
Opening control	
Auxiliary switch closing	
Auxiliary switch opening	
Auxiliary common	

SA05X: ATEX area version
SA05PIU: feedback potentiometer version
SA05CPT: 4-20 mA position transmitter version
SA05PCU: 0-10, 2-10 V, 2-20 mA, 4-20 mA regulation card version
SA05LCU: local control version
SA05RBP: integrated battery emergency shutdown device version

The following data is for information purpose only and may be subject to alteration without prior notice